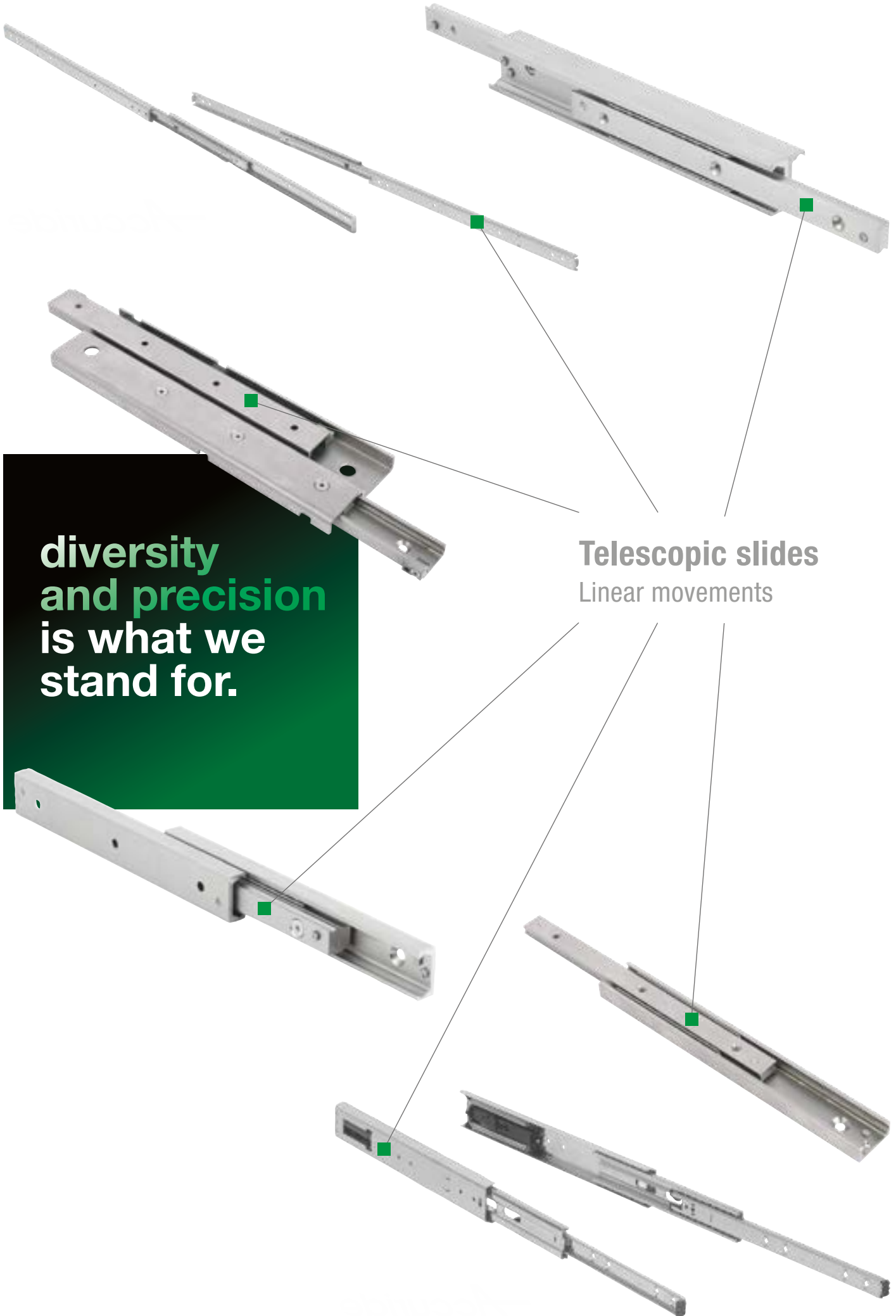


norelem

TELESCOPIC SLIDES



THE **BIG**
GREEN
BOOK ■



**diversity
and precision
is what we
stand for.**

Telescopic slides
Linear movements

A WIDE RANGE OF GOOD OPTIONS: TELESCOPIC RAILS FROM NORELEM

norelem offers telescopic rails in 33 different models, designs and sizes. Thanks to their great variety, the products can be used in a wide range of applications: from machine and plant construction to the furniture industry and aviation. In every case, the high quality of the telescopic rails ensures reliable operation and a long service life.

Overview: norelem telescopic rails

21334	Telescopic slides, steel for side mounting, full extension, load capacity up to 20 kg	Page 12
21334-05	Telescopic slides, steel for surface mounting, partial extension both sides, load capacity up to 35 kg	Page 14
21334-10	Telescopic slides, steel for side mounting, full extension, load capacity up to 45 kg	Page 16
21334-15	Telescopic slides, steel for side mounting, full extension, load capacity up to 50 kg	Page 18
21334-20	Telescopic slides, steel for side mounting, partial extension, load capacity up to 50 kg	Page 24
21334-25	Telescopic slides, steel for side mounting, partial extension both sides, load capacity up to 50 kg	Page 26
21334-30	Telescopic slides, steel for side mounting, partial extension, load capacity up to 50 kg	Page 28
21334-35	Telescopic slides, steel for side mounting, over-extension, load capacity up to 55 kg	Page 32
21334-40	Telescopic slides, steel for side mounting, over-extension, load capacity up to 60 kg	Page 34
21334-45	Telescopic slides, steel for side mounting, partial extension, load capacity up to 65 kg	Page 36
21334-50	Telescopic slides, stainless steel for side mounting, partial extension, load capacity up to 65 kg	Page 38
21334-55	Telescopic slides, steel for side mounting, over-extension, load capacity up to 68 kg	Page 40
21334-60	Telescopic slides, steel for side mounting, over-extension, load capacity up to 68 kg	Page 42
21334-65	Telescopic slides, steel for side mounting, over-extension, load capacity up to 68 kg	Page 44
21334-70	Telescopic slides, steel for side mounting, over-extension, load capacity up to 70 kg	Page 46
21334-75	Telescopic slides, steel for side mounting, over-extension, load capacity up to 70 kg	Page 48
21334-80	Telescopic slides, stainless steel for side mounting, over-extension, load capacity up to 70 kg	Page 50
21334-85	Telescopic slides, stainless steel for side mounting, full extension, load capacity up to 80 kg	Page 52
21334-90	Telescopic slides, steel for side mounting, over-extension, load capacity up to 82 kg	Page 54
21334-95	Telescopic slides, stainless steel for side mounting, over-extension, load capacity up to 90 kg	Page 56
21335	Telescopic slides, steel for side mounting, full extension, load capacity up to 100 kg	Page 58
21335-05	Telescopic slides, steel for side mounting, over-extension, load capacity up to 100 kg	Page 60
21335-10	Telescopic slides, steel for side mounting, full extension, load capacity up to 124 kg	Page 62
21335-15	Telescopic slides, steel for side mounting, full extension, load capacity up to 160 kg	Page 64
21335-20	Telescopic slides, steel for side mounting, over-extension, load capacity up to 160 kg	Page 66
21335-25	Telescopic slides, steel for side mounting, full extension, load capacity up to 227 kg	Page 68
21335-30	Telescopic slides, steel for side mounting, full extension, load capacity up to 272 kg	Page 72
21335-35	Telescopic slides, aluminium for side mounting, full extension, load capacity up to 300 kg	Page 74
21335-80	Mounting bracket, steel, for telescopic slides	Page 76
21336	Telescopic rails Double-T form	Page 78
21338	Telescopic rails double arrangement	Page 80
21340	Telescope rails	Page 82
21342	Telescope rails S-form	Page 84

YOU HAVE DEMANDING TASKS, WE HAVE THE SOLUTION!

Load capacities from 10 kg to 450 kg, a large number of lengths, high-quality materials, a wide range of installation types and equipment variants: The range of telescopic rails from norelem leaves nothing to be desired.



ADVANTAGES:

- high reliability and durability
- smooth linear movement
- high-quality materials
- high load rating & quality
- maintenance and noise-free

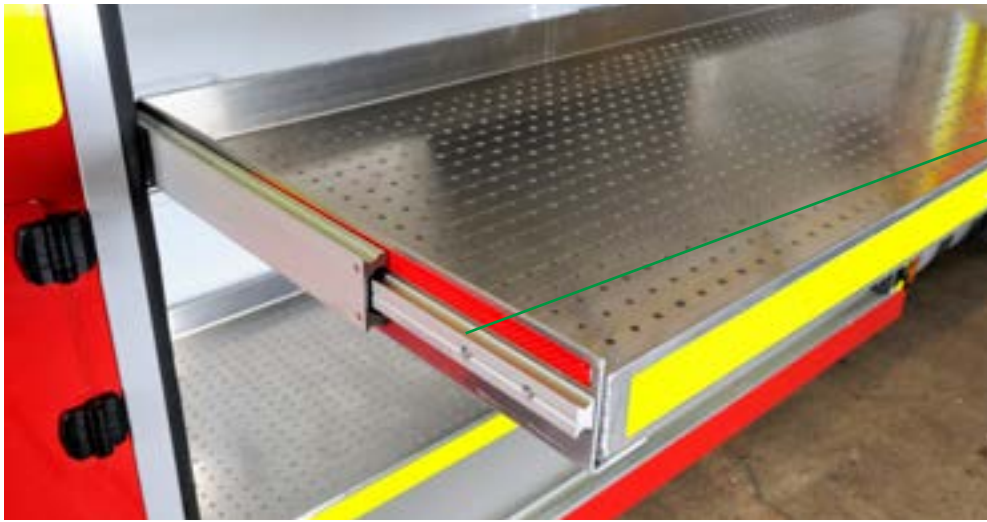




AREAS OF APPLICATION

- 1 Medical cabinets
- 2 Drawers
- 3 Cash register systems
- 4 Commercial vehicle construction
- 5 Door systems
- 6 Warehousing





MATERIALS USED

Material	Rails	Ball cages	Balls
Steel	Steel electro zinc-plated	Steel electro zinc-plated	Hardened steel
Stainless steel	Stainless steel 1.4301	Stainless steel 1.4301	Stainless steel 1.4034
Aluminium	6000 series aluminium	Stainless steel 1.4301	Stainless steel 1.4034

Different materials make telescopic rails suitable for a variety of applications. Versions in steel are a reliable standard. Aluminium makes norelem telescopic pull-outs particularly light. The stainless steel used is corrosion-resistant and ensures maximum hygiene.

LOAD RANGES

Light (up to 50 kg): Rails for light loads such as kitchen cabinets, bathroom cabinets and commercial applications.

Medium (51 kg to 99 kg): Rails for medium loads such as conveyor technology, retail, automotive technology and cash handling.

Heavy (more than 100 kg): Rails for heavy loads such as machinery, rescue vehicles and conveyor technology.

CONFIGURATION VARIANTS

Soft-Close: The telescopic slides are cushioned during closing, slowed down and moved automatically to the end position.

Self-retraction: When closing, the telescopic slides move automatically to the end position.

Push to open: When slight pressure is applied, the telescopic slides move out by themselves, almost silently.

Latches when open: The telescopic slides engage when fully extended and hold the position.

Latches when closed: The telescopic slides latch and hold when in the idle and closed position.

Release lever (21335-25): The telescopic slide latches in open and closed positions. The latch can only be released by actuating the release lever.

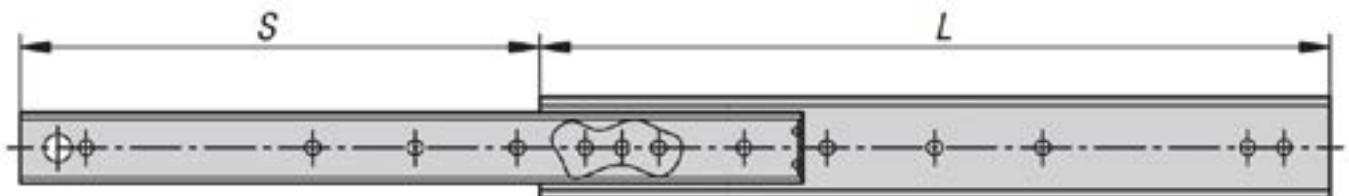
Quick frontal release: Telescopic slides with a quick frontal release can be completely separated by operating the lever. The separation enables repairs and maintenance work on the rails without having to remove them completely.

Angle bracket: The bracket is used for optimum side, floor or platform mounting.

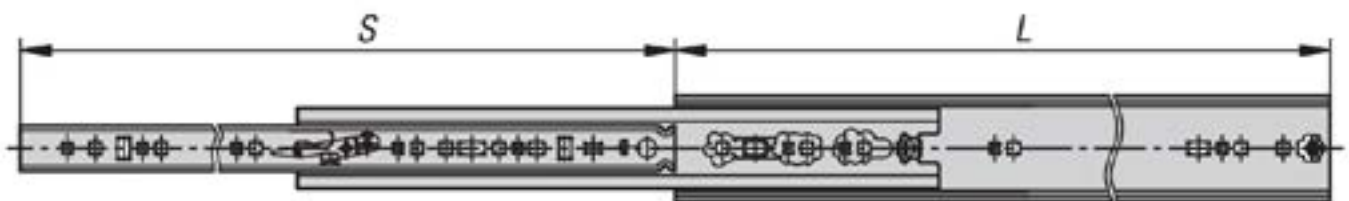
PULL-OUTS

The norelem telescopic rails are available in three extension versions, as a **partial extension**, **full extension** as well as **over-extension** and differ in terms of their stroke, which is indicated in relation to the length.

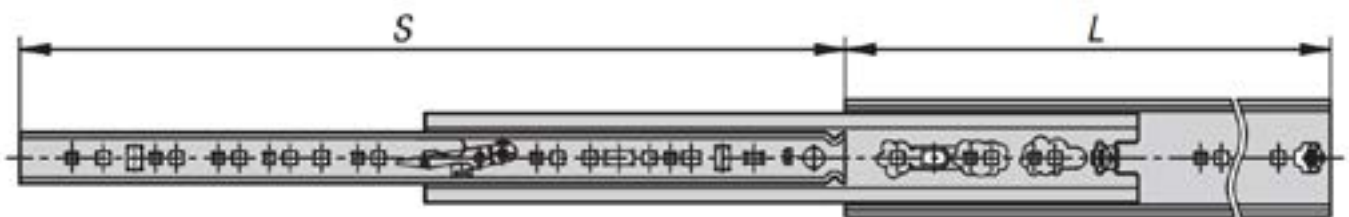
Partial extension: Length > Stroke - When a partial extension is fitted, drawers and pull-outs are not accessible in their full length, but a partial extension generally provides a high degree of stability.



Full extension: Length \approx Stroke – Their special design gives telescopic rails with full extension additional stability, as a telescopic full extension has to bear higher loads when open.

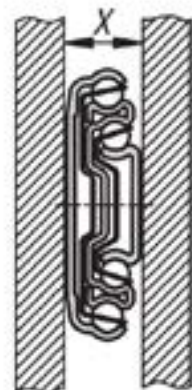


Over-extension: Length < Stroke - Over-extension telescopic rails are designed to be particularly stable, as they have to bear the heaviest loads when open.



INSTALLATION

To ensure that the slides run optimally under light tensile load, the installation width should be 0.2 mm to 0.5 mm wider than the specified slide width. After the slides have been mounted, they should run smoothly, be checked for correct function and aligned if necessary. To eliminate any interfering factors, the installation width, parallelism and angular accuracy should be checked.





21334 – 21335-35

Family number	Extension Partial (T) Full (V) Over (Ü)	Max. WLL per pair in kg	Slide length in mm (retracted)	Material Steel (S) Stainless steel (ES) Aluminium (A)	Horizontal mounting	Mounting bracket (21335-80)	Soft- Close	Push to open	Auto- retrac- tion	Latch open	Latch closed	Quick frontal release
21334	V	20	150 - 500	S								
21334-05	T	35	305 - 711	S						X		
21334-10	V	45	150 - 550	S								
21334-15	V	50	199 - 700	S		X	X	X	X	X	X	X
21334-20	T	50	305 - 711	S	X							
21334-25	T	50	300 - 700	S	X					X	X	
21334-30	T	50	250 - 700	S		X				X	X	X
21334-35	Ü	55	350 - 700	S		X					X	
21334-40	Ü	60	300 - 700	S							X	X
21334-45	T	65	305 - 711	S	X					X		X
21334-50	T	65	300 - 700	ES	X						X	
21334-55	Ü	68	305 - 711	S	X					X		X
21334-60	Ü	68	305 - 711	S	X						X	X
21334-65	Ü	68	305 - 711	S	X						X	
21334-70	Ü	70	305 - 711	S	X							
21334-75	Ü	70	305 - 711	S	X					X		X
21334-80	Ü	70	305 - 711	ES	X					X		X
21334-85	V	80	300 - 700	ES	X						X	
21334-90	Ü	82	406 - 762	S	X					X		X
21334-95	Ü	90	305 - 660	ES	X					X		X
21335	V	100	400 - 700	S	X		X				X	
21335-05	Ü	100	300 - 700	S			X				X	
21335-10	V	124	305 - 711	S								X
21335-15	V	160	305 - 914	S	X						X	X
21335-20	Ü	160	300 - 1100	S							X	
21335-25	V	227	305 - 1524	S						X	X	
21335-30	V	272	254 - 1524	S	X							
21335-35	V	300	300 - 1000	A								

More articles

21335-80
21336
21338
21340
21342

Our diverse range of telescopic rails, extensive corresponding CAD data in standard formats, information sheets and technical data can be found easily & quickly at our online shop:

WWW.NOPELEM.COM

Item description/product images



Description

Material:

Slides steel.
Ball cages steel.
Balls, steel.

Version:

Slides electro zinc-plated.
Ball cages, electro zinc-plated.
Balls hardened.

Note for ordering:

Sold in pairs.

Note:

By telescopic slides with full extension, the travel is roughly equal to the installed length, which ensures greater comfort and accessibility.
The dynamic load capacity of the telescopic slides indicates the maximum load rating of a vertically mounted slide pair when the entire extension length is used. The load capacity specified is calculated with a slide spacing of 450 mm and is based on the maximum value with 80,000 cycles.

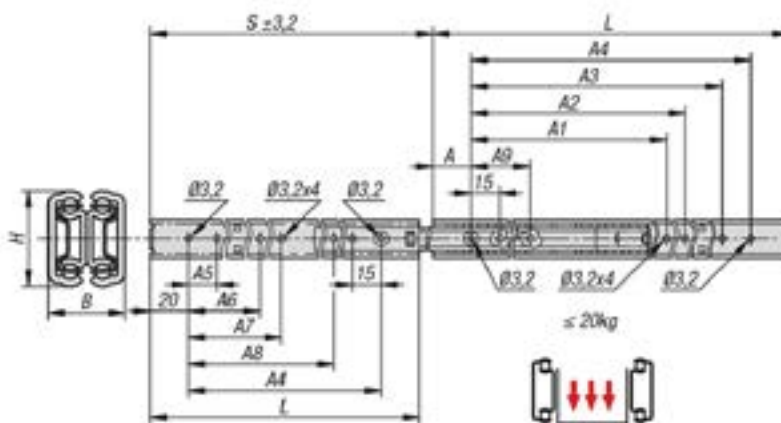
Not suitable for horizontal mounting.

The head height of the fastening screws should not exceed 1.8 mm otherwise there is a risk of collision with other parts of the slide.

Advantages:

- Low slide thickness
- Light running
- Precise guidance for high lateral stability

Drawings



Overview of items

Order No.	Assembly	Product type	Loading per pair kg	Packaging type
21334-0150	side mounting	standard	15	1 piece = 1 pair
21334-0200	side mounting	standard	17	1 piece = 1 pair

21334 Telescopic slides, steel for side mounting, full extension, load capacity up to 20 kg



Overview of items

Order No.	Assembly	Product type	Loading per pair kg	Packaging type
21334-0250	side mounting	standard	19	1 piece = 1 pair
21334-0300	side mounting	standard	20	1 piece = 1 pair
21334-0350	side mounting	standard	20	1 piece = 1 pair
21334-0400	side mounting	standard	18	1 piece = 1 pair
21334-0450	side mounting	standard	16	1 piece = 1 pair
21334-0500	side mounting	standard	13	1 piece = 1 pair

Order No.	A	A1	A2	A3	A4	A5	A6	A7	A8	A9	B	H	Travel S	L
21334-0150	20	-	-	95	110	15	-	-	-	-	16	20	156	150
21334-0200	20	-	-	145	160	15	-	-	60	100	16	20	231	200
21334-0250	20	-	-	195	210	15	-	-	110	100	16	20	280	250
21334-0300	20	-	160	245	260	15	100	-	160	100	16	20	329	300
21334-0350	20	-	210	295	310	15	100	-	210	100	16	20	379	350
21334-0400	20	-	260	345	360	15	100	-	260	100	16	20	428	400
21334-0450	20	205	310	395	410	15	100	205	310	100	16	20	477	450
21334-0500	20	230	360	445	460	15	100	230	360	100	16	20	526	500



Description

Material:

Slides steel.
Ball cages steel.
Balls, steel.

Version:

Slides electro zinc-plated.
Ball cages, electro zinc-plated.
Balls hardened.

Note for ordering:

Sold in pairs.
Fastening material included.

Note:

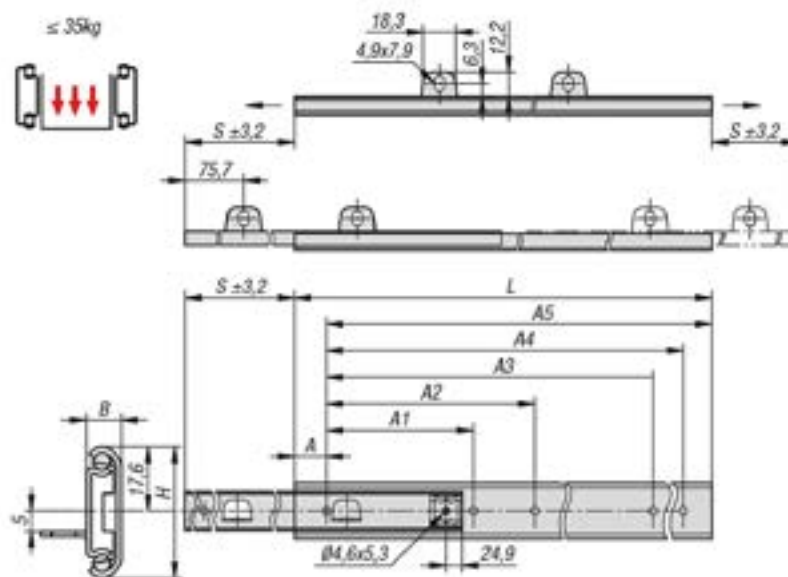
On telescopic slides with partial extension both sides, the travel is less than the installed length. These are a low-cost solution for guiding drawers or similar items with little friction and high lateral stability. Latches in the middle position. The side fasteners on the inner rail are replaced by support brackets. The dynamic load capacity of the telescopic slides indicates the maximum load rating of a vertically mounted slide pair when the entire extension length is used. The load capacity specified is calculated with a slide spacing of 450 mm and is based on the maximum value with 50,000 cycles.

Not suitable for horizontal mounting.

The head height of the fastening screws should not exceed 2.5 mm otherwise there is a risk of collision with other parts of the slide.

Advantages:

Pulls out in both directions
Light running
Precise guidance for high lateral stability



Overview of items

Order No.	Assembly	Product type	Loading per pair kg	Packaging type
21334-05-0305	surface mounting	standard	35	1 piece = 1 pair
21334-05-0356	surface mounting	standard	35	1 piece = 1 pair
21334-05-0406	surface mounting	standard	35	1 piece = 1 pair
21334-05-0457	surface mounting	standard	35	1 piece = 1 pair
21334-05-0508	surface mounting	standard	32	1 piece = 1 pair
21334-05-0558	surface mounting	standard	31	1 piece = 1 pair
21334-05-0610	surface mounting	standard	29	1 piece = 1 pair
21334-05-0660	surface mounting	standard	27	1 piece = 1 pair
21334-05-0711	surface mounting	standard	24	1 piece = 1 pair

Order No.	A	A1	A2	A3	A4	A5	B	H	Travel S	L
21334-05-0305	28,9	111	-	-	247,7	276,1	9,5	35,3	221,5	305
21334-05-0356	29,1	111	-	187,2	298,5	326,9	9,5	35,3	272,3	356
21334-05-0406	28,3	111	-	136,4	349,3	377,7	9,5	35,3	297,7	406
21334-05-0457	28,5	111	199,9	288,8	400,1	428,5	9,5	35,3	323,1	457
21334-05-0508	28,7	111	225,3	339,6	450,9	479,3	9,5	35,3	373,9	508
21334-05-0558	27,9	111	250,7	390,4	501,7	530,1	9,5	35,3	399,3	558
21334-05-0610	29,1	111	276,1	441,2	552,5	580,9	9,5	35,3	424,7	610
21334-05-0660	28,3	111	301,5	492	603,3	631,7	9,5	35,3	475,5	660
21334-05-0711	28,5	111	326,9	542,8	654,1	682,5	9,5	35,3	500,9	711

Item description/product images



Description

Material:

Slides steel.
Ball cages steel.
Balls, steel.

Version:

Slides electro zinc-plated.
Ball cages, electro zinc-plated.
Balls hardened.

Note for ordering:

Sold in pairs.

Note:

By telescopic slides with full extension, the travel is roughly equal to the installed length, which ensures greater comfort and accessibility. Latches in closed position. The dynamic load capacity of the telescopic slides indicates the maximum load rating of a vertically mounted slide pair when the entire extension length is used. The load capacity specified is calculated with a slide spacing of 450 mm and is based on the maximum value with 80,000 cycles.

Not suitable for horizontal mounting.

The head height of the fastening screws should not exceed 2 mm otherwise there is a risk of collision with other parts of the slide.

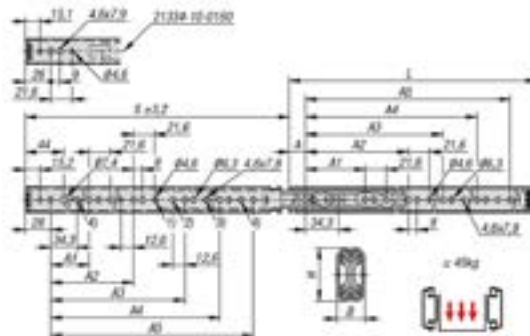
Advantages:

Latches in closed position
Low slide thickness
Light running

Drawing reference:

- 1) Mounting hole by 21334-10-0300 not provided
- 2) Mounting hole by 21334-10-0400 provided
- 3) Mounting hole by 21334-10-0400 not provided
- 4) Mounting hole by 21334-10-0150 not provided

Drawings



21334-10 Telescopic slides, steel for side mounting, full extension, load capacity up to 45 kg



Overview of items

Order No.	Assembly	Product type	Loading per pair kg	Packaging type
21334-10-0150	side mounting	standard	12	1 piece = 1 pair
21334-10-0200	side mounting	standard	16	1 piece = 1 pair
21334-10-0250	side mounting	standard	25	1 piece = 1 pair
21334-10-0300	side mounting	standard	32	1 piece = 1 pair
21334-10-0350	side mounting	standard	35	1 piece = 1 pair
21334-10-0400	side mounting	standard	45	1 piece = 1 pair
21334-10-0450	side mounting	standard	45	1 piece = 1 pair
21334-10-0500	side mounting	standard	35	1 piece = 1 pair
21334-10-0550	side mounting	standard	30	1 piece = 1 pair

Order No.	A	A1	A2	A3	A4	A5	B	H	Travel S	L
21334-10-0150	26	78	-	-	-	-	12,7	26,3	147,5	150
21334-10-0200	26	128	-	-	-	-	12,7	26,3	209	200
21334-10-0250	26	128	-	-	-	-	12,7	26,3	259	250
21334-10-0300	26	128	224	-	-	-	12,7	26,3	308	300
21334-10-0350	26	128	224	-	-	-	12,7	26,3	357	350
21334-10-0400	26	128	224	320	-	-	12,7	26,3	406	400
21334-10-0450	26	128	224	352	-	-	12,7	26,3	456	450
21334-10-0500	26	128	224	352	416	-	12,7	26,3	505	500
21334-10-0550	26	128	224	352	448	489	12,7	26,3	554	550



Description

Material:

Slides steel.
Ball cages steel.
Balls, steel.

Version:

Slides electro zinc-plated.
Ball cages, electro zinc-plated.
Balls hardened.

Note for ordering:

Sold in pairs.

Note:

By telescopic slides with full extension, the travel is roughly equal to the installed length, which ensures greater comfort and accessibility. When the release lever is actuated, the drawer can be taken out easily and separated from the guide. The dynamic load capacity of the telescopic slides indicates the maximum load rating of a vertically mounted slide pair when the entire extension length is used.

Not suitable for horizontal mounting.

The head height of the fastening screws should not exceed 2.5 mm otherwise there is a risk of collision with other parts of the slide.

Form A:

When closing, the movement of the telescopic slides is dampened by the soft closing feature and they move automatically into the end position.

The load capacities specified are based on the maximum value by 80,000 cycles.

Form B:

The telescopic slides slide automatically and almost soundlessly out with just a light push. The load capacity specified is calculated with a slide spacing of 450 mm and is based on the maximum value with 80,000 cycles.

Form C:

Latches in open and closed positions. The load capacity specified is calculated with a slide spacing of 450 mm and is based on the maximum value with 10,000 or 80,000 cycles.

Form D:

Latches in closed position.

The load capacity specified is calculated with a slide spacing of 450 mm and is based on the maximum value with 80,000 cycles.

Form E:

The self-retraction function enables the slides to slide automatically into the closed position. The load capacity specified is calculated with a slide spacing of 450 mm and is based on the maximum value with 10,000 or 80,000 cycles.

Temperature range:

Form A:

+10 °C to +40 °C.

Form B:
-20 °C to +70 °C.

Form C:
-20 °C to +70 °C.

Form D:
-20 °C to +70 °C.

Advantages:

Soft close
Push to open
Self-retracting
Latches in open and closed positions
Quick frontal release

Accessory:

Steel mounting bracket for telescopic slides 21335-80

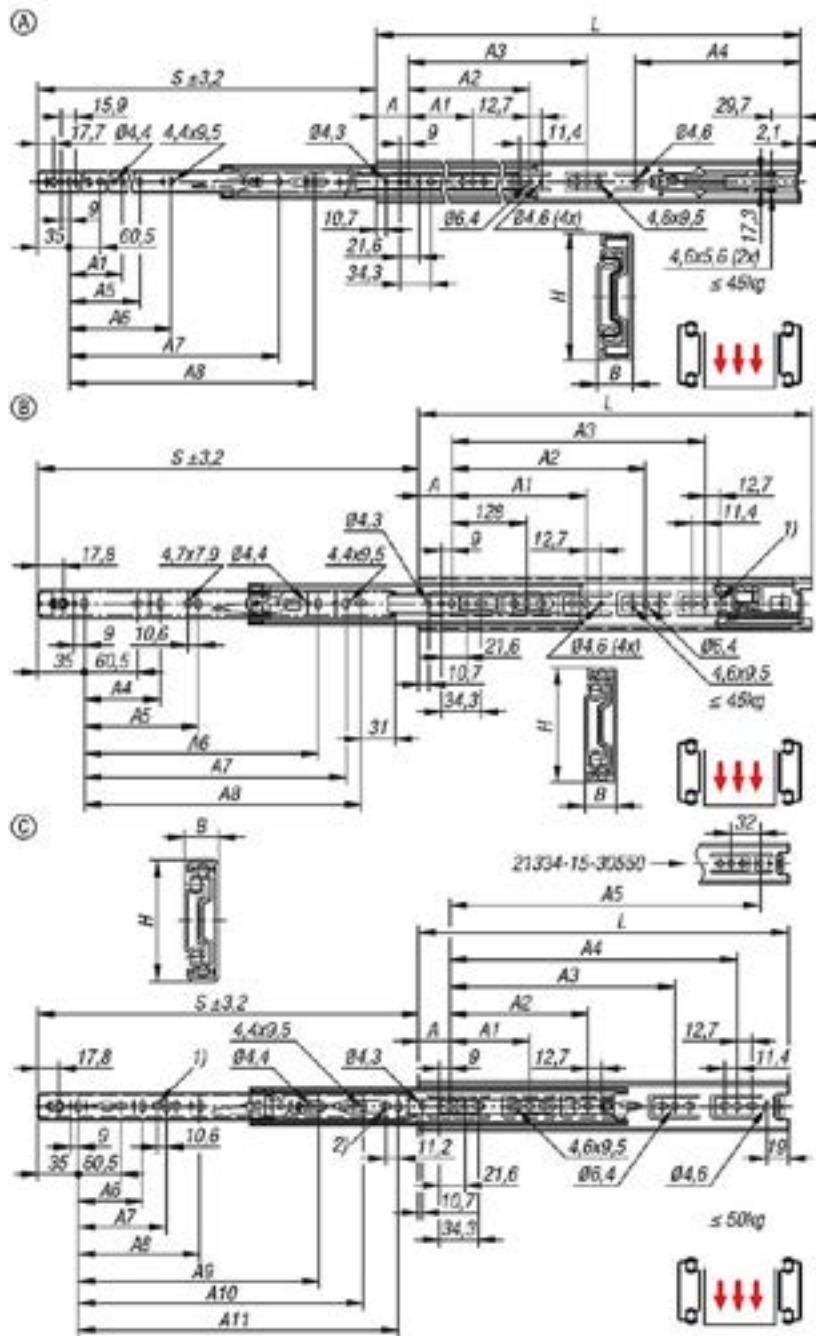
Drawing reference:

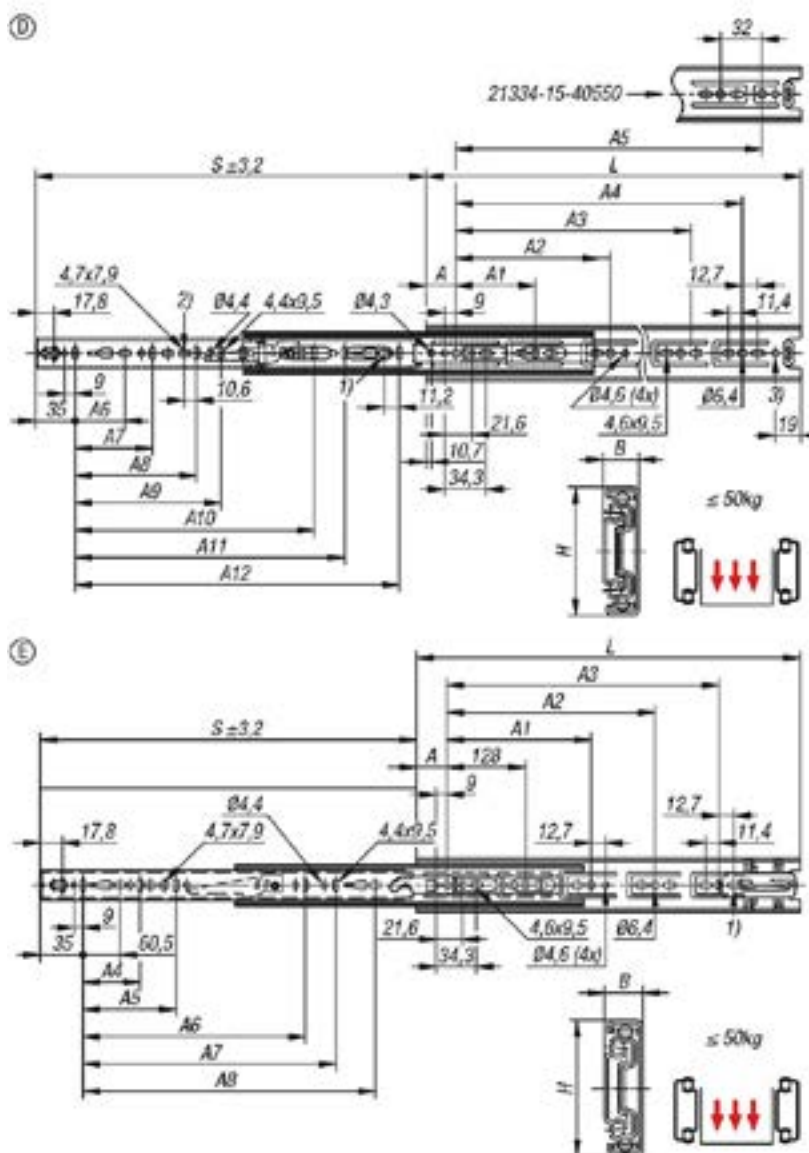
Form B:
1) Mounting hole by 21334-15-2040022, 21334-15-2050022,
21334-15-2060022, 21334-15-2040035, 21334-15-2050035 and
21334-15-2060035 not provided

Form C:
1) Mounting hole by 21334-15-30600, 21334-15-30650 and 21334-15-30700
provided
2) Mounting hole by 21334-15-30250 not provided

Form D:
1) Mounting hole by 21334-15-40148, 21334-15-40199
and 21334-15-40250 not provided
2) Mounting hole by 21334-15-40600, 21334-15-40650
and 21334-15-40700 provided
3) Mounting hole by 21334-15-30600 and 21334-15-30650 not provided

Form E:
1) Mounting hole by 21444-15-5040027, 21554-15-5050027, 21447-15-5040041
and 21557-15-5050041 not provided





Overview of items

Order No.	Form	Form-Type	Assembly	Product type	Load capacity per pair (80,000 cycles) kg	Packaging type
21334-15-10350	A	Soft close	side mounting	standard	43	1 piece = 1 pair
21334-15-10400	A	Soft close	side mounting	standard	44	1 piece = 1 pair
21334-15-10450	A	Soft close	side mounting	standard	45	1 piece = 1 pair
21334-15-10500	A	Soft close	side mounting	standard	45	1 piece = 1 pair
21334-15-10550	A	Soft close	side mounting	standard	45	1 piece = 1 pair
21334-15-10600	A	Soft close	side mounting	standard	45	1 piece = 1 pair
21334-15-10650	A	Soft close	side mounting	standard	44	1 piece = 1 pair
21334-15-10700	A	Soft close	side mounting	standard	43	1 piece = 1 pair

Order No.	A	A1	A2	A3	A4	A5	A6	A7	A8	B	H	Travel S	L
21334-15-10350	35	-	-	-	180,8	-	-	206	-	12,7	45,7	310	350
21334-15-10400	35	128	-	-	180,8	-	-	257	-	12,7	45,7	406	400
21334-15-10450	35	128	224	-	-	-	-	305	-	12,7	45,7	457	450
21334-15-10500	35	128	224	-	180,8	-	-	352	-	12,7	45,7	508	500
21334-15-10550	35	128	224	-	180,8	-	-	407	352	12,7	45,7	559	550
21334-15-10600	35	128	224	352	-	224	-	-	416	12,7	45,7	610	600
21334-15-10650	35	128	224	352	180,8	224	-	-	416	12,7	45,7	660	650

21334-15 Telescopic slides, steel for side mounting, full extension, load capacity up to 50 kg



Overview of items

Order No.	A	A1	A2	A3	A4	A5	A6	A7	A8	B	H	Travel S	L
21334-15-10700	35	128	224	352	180,8	224	288	-	544	12,7	45,7	711	700

Order No.	Form	Form-Type	Activating force N	Assembly	Product type	Load capacity per pair (80,000 cycles) kg	Packaging type
21334-15-2030022	B	Push to open	22	side mounting	standard	42	1 piece = 1 pair
21334-15-2035022	B	Push to open	22	side mounting	standard	43	1 piece = 1 pair
21334-15-2040022	B	Push to open	22	side mounting	standard	44	1 piece = 1 pair
21334-15-2045022	B	Push to open	22	side mounting	standard	45	1 piece = 1 pair
21334-15-2050022	B	Push to open	22	side mounting	standard	45	1 piece = 1 pair
21334-15-2055022	B	Push to open	22	side mounting	standard	45	1 piece = 1 pair
21334-15-2060022	B	Push to open	22	side mounting	standard	45	1 piece = 1 pair
21334-15-2065022	B	Push to open	22	side mounting	standard	44	1 piece = 1 pair
21334-15-2070022	B	Push to open	22	side mounting	standard	43	1 piece = 1 pair
21334-15-2030035	B	Push to open	35	side mounting	standard	42	1 piece = 1 pair
21334-15-2035035	B	Push to open	35	side mounting	standard	43	1 piece = 1 pair
21334-15-2040035	B	Push to open	35	side mounting	standard	44	1 piece = 1 pair
21334-15-2045035	B	Push to open	35	side mounting	standard	45	1 piece = 1 pair
21334-15-2050035	B	Push to open	35	side mounting	standard	45	1 piece = 1 pair
21334-15-2055035	B	Push to open	35	side mounting	standard	45	1 piece = 1 pair
21334-15-2060035	B	Push to open	35	side mounting	standard	45	1 piece = 1 pair
21334-15-2065035	B	Push to open	35	side mounting	standard	44	1 piece = 1 pair
21334-15-2070035	B	Push to open	35	side mounting	standard	43	1 piece = 1 pair

Order No.	A	A1	A2	A3	A4	A5	A6	A7	A8	B	H	Travel S	L
21334-15-2030022	35	-	-	-	-	-	-	-	192	12,7	45,7	305	300
21334-15-2035022	35	224	-	-	128	-	-	-	242	12,7	45,7	356	350
21334-15-2040022	35	224	288	-	128	-	-	-	292	12,7	45,7	406	400
21334-15-2045022	35	224	320	-	128	-	320	-	342	12,7	45,7	457	450
21334-15-2050022	35	224	384	-	128	-	320	-	392	12,7	45,7	508	500
21334-15-2055022	35	224	416	-	128	224	416	-	442	12,7	45,7	559	550
21334-15-2060022	35	224	352	480	128	224	416	-	492	12,7	45,7	610	600
21334-15-2065022	35	224	352	512	128	224	416	512	542	12,7	45,7	660	650
21334-15-2070022	35	224	352	544	128	224	416	512	592	12,7	45,7	711	700
21334-15-2030035	35	-	-	-	-	-	-	-	192	12,7	45,7	305	300
21334-15-2035035	35	224	-	-	128	-	-	-	242	12,7	45,7	356	350
21334-15-2040035	35	224	288	-	128	-	-	-	292	12,7	45,7	406	400
21334-15-2045035	35	224	320	-	128	-	320	-	342	12,7	45,7	457	450
21334-15-2050035	35	224	384	-	128	-	320	-	392	12,7	45,7	508	500
21334-15-2055035	35	224	416	-	128	224	416	-	442	12,7	45,7	559	550
21334-15-2060035	35	224	352	480	128	224	416	-	492	12,7	45,7	610	600
21334-15-2065035	35	224	352	512	128	224	416	512	542	12,7	45,7	660	650
21334-15-2070035	35	224	352	544	128	224	416	512	592	12,7	45,7	711	700

Order No.	Form	Form-Type	Assembly	Product type	Load capacity per pair (80,000 cycles) kg	Loading pair (10,000 cycles) kg	Packaging type
21334-15-30250	C	latches in closed and open positions	side mounting	standard	41	47	1 piece = 1 pair
21334-15-30300	C	latches in closed and open positions	side mounting	standard	42	48	1 piece = 1 pair
21334-15-30350	C	latches in closed and open positions	side mounting	standard	43	49	1 piece = 1 pair
21334-15-30400	C	latches in closed and open positions	side mounting	standard	44	50	1 piece = 1 pair
21334-15-30450	C	latches in closed and open positions	side mounting	standard	45	50	1 piece = 1 pair
21334-15-30500	C	latches in closed and open positions	side mounting	standard	45	50	1 piece = 1 pair
21334-15-30550	C	latches in closed and open positions	side mounting	standard	45	50	1 piece = 1 pair
21334-15-30600	C	latches in closed and open positions	side mounting	standard	45	50	1 piece = 1 pair
21334-15-30650	C	latches in closed and open positions	side mounting	standard	44	49	1 piece = 1 pair
21334-15-30700	C	latches in closed and open positions	side mounting	standard	43	48	1 piece = 1 pair

Order No.	A	A1	A2	A3	A4	A5	A6	A7	A8	A9	A10	A11	B	H	Travel S	L
21334-15-30250	35	-	160	-	-	-	96	-	-	-	-	192	12,7	45,7	243	250
21334-15-30300	35	-	224	-	-	-	96	-	-	-	-	242	12,7	45,7	305	300
21334-15-30350	35	128	224	-	-	-	128	-	-	-	-	292	12,7	45,7	356	350

21334-15 Telescopic slides, steel for side mounting, full extension, load capacity up to 50 kg



Overview of items

Order No.	A	A1	A2	A3	A4	A5	A6	A7	A8	A9	A10	A11	B	H	Travel S	L
21334-15-30400	35	128	224	320	-	-	128	-	-	-	-	342	12,7	45,7	406	400
21334-15-30450	35	128	-	352	-	-	128	-	-	320	-	392	12,7	45,7	457	450
21334-15-30500	35	128	-	416	-	-	128	-	-	320	-	442	12,7	45,7	508	500
21334-15-30550	35	128	-	352	-	480	128	-	-	320	416	492	12,7	45,7	559	550
21334-15-30600	35	128	224	352	480	-	128	224	-	416	-	542	12,7	45,7	610	600
21334-15-30650	35	128	224	352	544	-	128	224	-	416	544	592	12,7	45,7	660	650
21334-15-30700	35	128	224	352	544	-	128	224	288	416	544	642	12,7	45,7	711	700

Order No.	Form	Form-Type	Assembly	Product type	Load capacity per pair (80,000 cycles) kg	Packaging type
21334-15-40148	D	latches in closed position	side mounting	standard	45	1 piece = 1 pair
21334-15-40199	D	latches in closed position	side mounting	standard	46	1 piece = 1 pair
21334-15-40250	D	latches in closed position	side mounting	standard	47	1 piece = 1 pair
21334-15-40300	D	latches in closed position	side mounting	standard	48	1 piece = 1 pair
21334-15-40350	D	latches in closed position	side mounting	standard	49	1 piece = 1 pair
21334-15-40400	D	latches in closed position	side mounting	standard	50	1 piece = 1 pair
21334-15-40450	D	latches in closed position	side mounting	standard	50	1 piece = 1 pair
21334-15-40500	D	latches in closed position	side mounting	standard	50	1 piece = 1 pair
21334-15-40550	D	latches in closed position	side mounting	standard	50	1 piece = 1 pair
21334-15-40600	D	latches in closed position	side mounting	standard	50	1 piece = 1 pair
21334-15-40650	D	latches in closed position	side mounting	standard	49	1 piece = 1 pair
21334-15-40700	D	latches in closed position	side mounting	standard	49	1 piece = 1 pair

Order No.	A	A1	A2	A3	A4	A5	A6	A7	A8	A9	A10	A11	A12	B	H	Travel S	L
21334-15-40148	35	77,2	-	-	-	-	-	-	-	-	-	-	96	12,7	45,7	138	148
21334-15-40199	35	128	-	-	-	-	60,5	128	-	-	-	-	141	12,7	45,7	203	199
21334-15-40250	35	128	-	-	-	-	60,5	96	-	-	-	-	192	12,7	45,7	354	250
21334-15-40300	35	128	224	-	-	-	60,5	96	-	-	-	-	242	12,7	45,7	305	300
21334-15-40350	35	128	224	-	-	-	60,5	128	-	-	-	-	292	12,7	45,7	356	350
21334-15-40400	35	128	224	320	-	-	60,5	128	-	-	-	-	342	12,7	45,7	406	400
21334-15-40450	35	128	224	352	-	-	60,5	128	-	-	320	-	392	12,7	45,7	457	450
21334-15-40500	35	128	224	416	-	-	60,5	128	-	-	320	416	442	12,7	45,7	508	500
21334-15-40550	35	128	224	352	448	480	60,5	128	-	-	320	416	492	12,7	45,7	559	550
21334-15-40600	35	128	224	352	480	-	60,5	128	224	-	416	-	542	12,7	45,7	610	600
21334-15-40650	35	128	224	352	544	-	60,5	128	224	-	416	544	592	12,7	45,7	660	650
21334-15-40700	35	128	224	352	544	-	60,5	128	224	288	416	544	642	12,7	45,7	711	700



Description

Material:

Slides steel.
Ball cages steel.
Balls, steel.

Version:

Slides electro zinc-plated.
Ball cages steel.
Balls hardened.

Note for ordering:

Sold in pairs.

Note:

On telescopic slides with partial extension, the travel is less than the installed length. The dynamic load capacity of the telescopic slides indicates the maximum load rating of a vertically mounted slide pair when the entire extension length is used. The load capacity specified is calculated with a slide spacing of 450 mm and is based on the maximum value with 10,000 cycles.

The load capacity is ca. 75% lower by horizontal mounting.

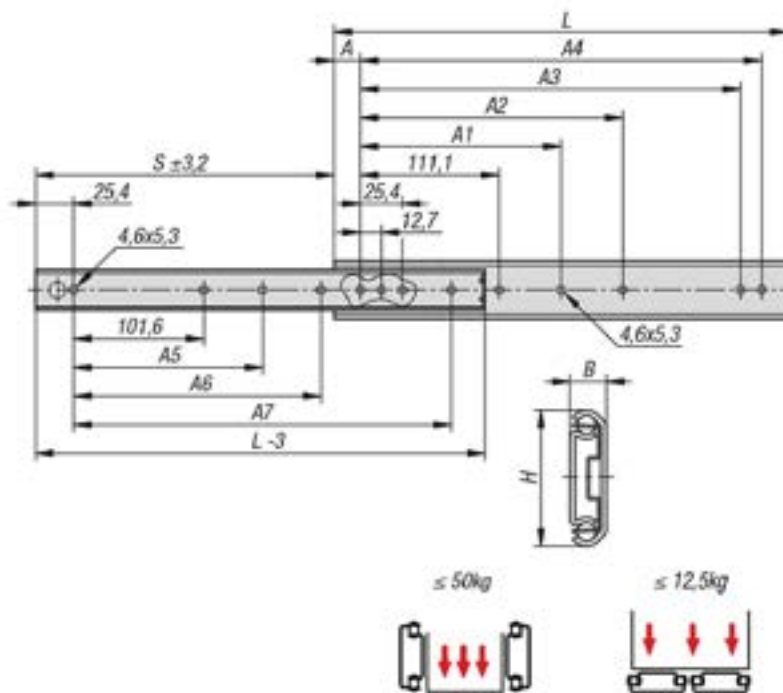
The head height of the fastening screws should not exceed 2.5 mm otherwise there is a risk of collision with other parts of the slide.

Temperature range:

-20°C to +110°C.

Advantages:

Suitable for flat mounting
Light running
Precise guidance for high lateral stability



Overview of items

Order No.	Assembly	Product type	Loading per pair kg	Packaging type
21334-20-0305	side mounting	standard	50	1 piece = 1 pair
21334-20-0356	side mounting	standard	50	1 piece = 1 pair
21334-20-0406	side mounting	standard	45	1 piece = 1 pair
21334-20-0457	side mounting	standard	45	1 piece = 1 pair
21334-20-0508	side mounting	standard	40	1 piece = 1 pair
21334-20-0559	side mounting	standard	40	1 piece = 1 pair
21334-20-0610	side mounting	standard	35	1 piece = 1 pair
21334-20-0660	side mounting	standard	30	1 piece = 1 pair
21334-20-0711	side mounting	standard	30	1 piece = 1 pair

Order No.	A	A1	A2	A3	A4	A5	A6	A7	B	H	Travel S	L
21334-20-0305	15,9	-	149,2	260,3	273	-	152,4	254	9,5	35,3	227	305
21334-20-0356	15,9	-	200	311,1	323,8	-	203,2	304,8	9,5	35,3	277	356
21334-20-0406	15,9	-	250,8	361,9	374,6	-	254	355,6	9,5	35,3	302	406
21334-20-0457	15,9	212,7	301,6	412,7	425,4	203,2	304,8	406,4	9,5	35,3	328	457
21334-20-0508	15,9	238,1	352,4	463,5	476,2	228,6	355,6	457,2	9,5	35,3	379	508
21334-20-0559	15,9	263,5	403,2	514,3	527	254	406,4	508	9,5	35,3	405	559
21334-20-0610	15,9	288,9	454	565,1	577,8	279,4	457,2	558,8	9,5	35,3	429	610
21334-20-0660	15,9	314,3	504,8	615,9	628,6	304,8	508	609,6	9,5	35,3	481	660
21334-20-0711	15,9	339,7	555,6	666,8	679,4	330,2	558,8	660,4	9,5	35,3	506	711



Description

Material:

Slides steel.
Ball cages steel.
Balls, steel.

Version:

Slides electro zinc-plated.
Ball cages, electro zinc-plated.
Balls hardened.

Note for ordering:

Sold in pairs.

Note:

On telescopic slides with partial extension both sides, the travel is less than the installed length. Latches in open position on both sides. The dynamic load capacity of the telescopic slides indicates the maximum load rating of a vertically mounted slide pair when the entire extension length is used. The load capacity specified is calculated with a slide spacing of 450 mm and is based on the maximum value with 50,000 cycles.

The load capacity is ca. 75% lower by horizontal mounting.

The head height of the fastening screws should not exceed 2.5 mm otherwise there is a risk of collision with other parts of the slide.

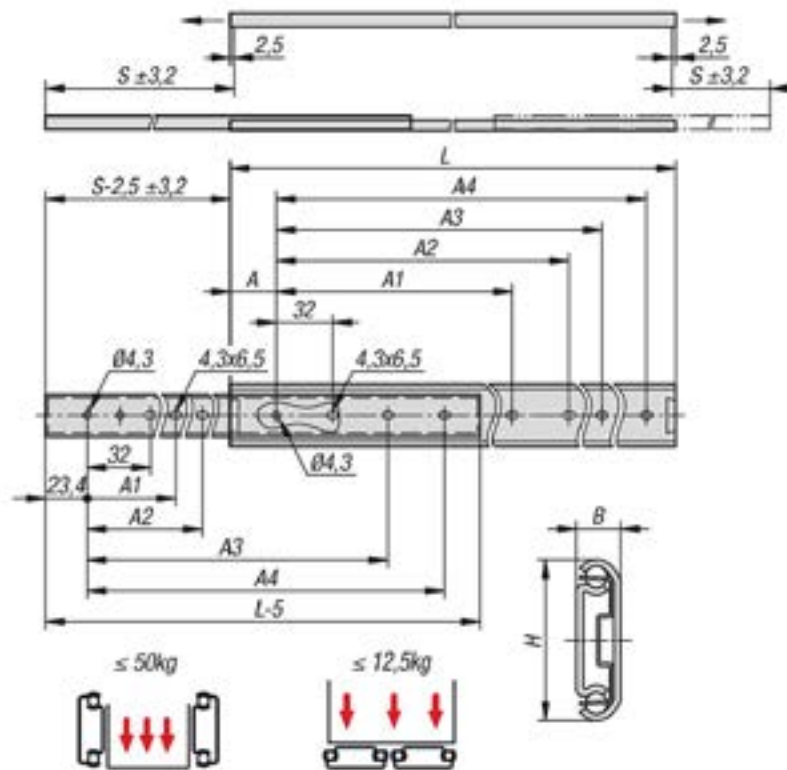
Advantages:

Pulls out in both directions
Latches in open position on both sides
Light running

21334-25 Telescopic slides, steel for side mounting, partial extension both sides, load capacity up to 50 kg



Drawings



Overview of items

Order No.	Assembly	Product type	Loading per pair kg	Packaging type
21334-25-0300	side mounting	standard	50	1 piece = 1 pair
21334-25-0350	side mounting	standard	50	1 piece = 1 pair
21334-25-0400	side mounting	standard	45	1 piece = 1 pair
21334-25-0450	side mounting	standard	40	1 piece = 1 pair
21334-25-0500	side mounting	standard	40	1 piece = 1 pair
21334-25-0550	side mounting	standard	35	1 piece = 1 pair
21334-25-0600	side mounting	standard	35	1 piece = 1 pair
21334-25-0650	side mounting	standard	30	1 piece = 1 pair
21334-25-0700	side mounting	standard	30	1 piece = 1 pair

Order No.	A	A1	A2	A3	A4	B	H	Travel S	L
21334-25-0300	26	128	160	224	256	9,5	35,3	208,8	300
21334-25-0350	26	160	192	256	288	9,5	35,3	246,1	350
21334-25-0400	26	192	224	320	352	9,5	35,3	283,4	400
21334-25-0450	26	224	256	352	384	9,5	35,3	320,7	450
21334-25-0500	26	256	288	416	448	9,5	35,3	358	500
21334-25-0550	26	256	288	480	512	9,5	35,3	395,3	550
21334-25-0600	26	288	320	512	544	9,5	35,3	432,6	600
21334-25-0650	26	288	320	576	608	9,5	35,3	469,9	650
21334-25-0700	26	320	352	608	640	9,5	35,3	507,2	700



Description

Material:

Slides steel.
Ball cages steel.
Balls, steel.

Version:

Slides electro zinc-plated.
Ball cages, electro zinc-plated.
Balls hardened.

Note for ordering:

Sold in pairs.

Note:

On telescopic slides with partial extension, the travel is less than the installed length. Latches in closed position. When the release lever is actuated, the drawer can be taken out easily and separated from the guide. The dynamic load capacity of the telescopic slides indicates the maximum load rating of a vertically mounted slide pair when the entire extension length is used. The load-bearing capacities specified refer to the maximum value at 10,000 or 80,000 cycles.

Not suitable for horizontal mounting.

The head height of the fastening screws should not exceed 2.5 mm otherwise there is a risk of collision with other parts of the slide.

Form B:

Additionally with latching in open position.

Advantages:

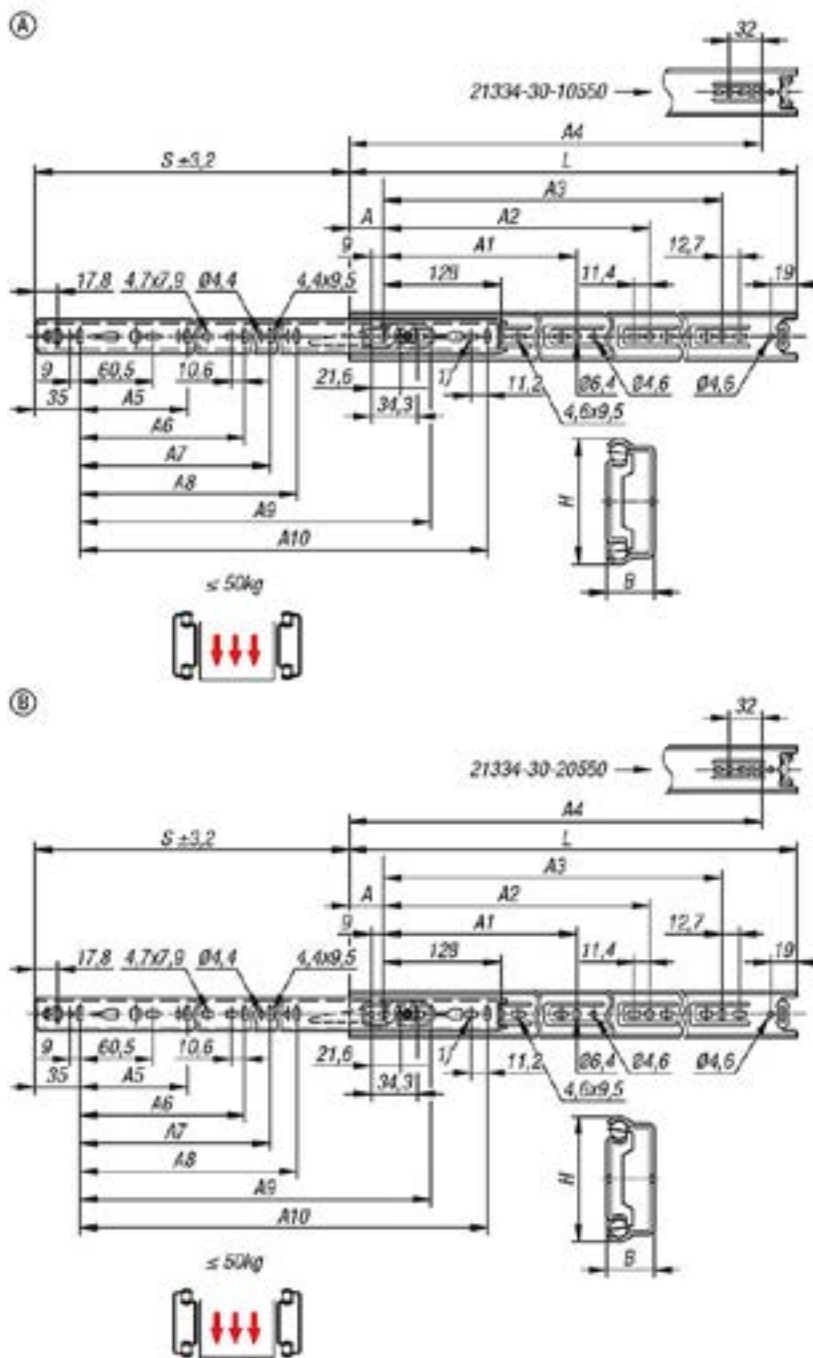
Latches in open and closed positions
Quick frontal release
Light running

Accessory:

Steel mounting bracket for telescopic slides 21335-80

Drawing reference:

1) Mounting hole by 21334-30-10250 and 21334-30-20250 not provided



Overview of items

Order No.	Form	Form-Type	Assembly	Product type	Load capacity per pair (80,000 cycles) kg	Loading pair (10,000 cycles) kg	Packaging type
21334-30-10250	A	latches in closed position	side mounting	standard	35	50	1 piece = 1 pair
21334-30-10300	A	latches in closed position	side mounting	standard	35	50	1 piece = 1 pair
21334-30-10350	A	latches in closed position	side mounting	standard	35	50	1 piece = 1 pair
21334-30-10400	A	latches in closed position	side mounting	standard	35	50	1 piece = 1 pair
21334-30-10450	A	latches in closed position	side mounting	standard	35	48	1 piece = 1 pair
21334-30-10500	A	latches in closed position	side mounting	standard	34	45	1 piece = 1 pair
21334-30-10550	A	latches in closed position	side mounting	standard	33	42	1 piece = 1 pair
21334-30-10600	A	latches in closed position	side mounting	standard	32	40	1 piece = 1 pair
21334-30-10650	A	latches in closed position	side mounting	standard	31	37	1 piece = 1 pair
21334-30-10700	A	latches in closed position	side mounting	standard	30	35	1 piece = 1 pair
21334-30-20250	B	latches in closed and open positions	side mounting	standard	35	50	1 piece = 1 pair

21334-30 Telescopic slides, steel for side mounting, partial extension, load capacity up to 50 kg



Overview of items

Order No.	Form	Form-Type	Assembly	Product type	Load capacity per pair (80,000 cycles) kg	Loading pair (10,000 cycles) kg	Packaging type
21334-30-20300	B	latches in closed and open positions	side mounting	standard	35	50	1 piece = 1 pair
21334-30-20350	B	latches in closed and open positions	side mounting	standard	35	50	1 piece = 1 pair
21334-30-20400	B	latches in closed and open positions	side mounting	standard	35	50	1 piece = 1 pair
21334-30-20450	B	latches in closed and open positions	side mounting	standard	35	48	1 piece = 1 pair
21334-30-20500	B	latches in closed and open positions	side mounting	standard	34	45	1 piece = 1 pair
21334-30-20550	B	latches in closed and open positions	side mounting	standard	33	42	1 piece = 1 pair
21334-30-20600	B	latches in closed and open positions	side mounting	standard	32	40	1 piece = 1 pair
21334-30-20650	B	latches in closed and open positions	side mounting	standard	31	37	1 piece = 1 pair
21334-30-20700	B	latches in closed and open positions	side mounting	standard	30	35	1 piece = 1 pair

Order No.	A	A1	A2	A3	A4	A5	A6	A7	A8	A9	A10	B	H	Travel S	L
21334-30-10250	35	-	-	-	-	96	-	-	-	-	192	12,7	35	163	250
21334-30-10300	35	224	-	-	-	96	-	-	-	-	242	12,7	35	205	300
21334-30-10350	35	224	-	-	-	128	-	-	-	-	292	12,7	35	260	350
21334-30-10400	35	224	-	320	-	128	-	-	-	-	342	12,7	35	281	400
21334-30-10450	35	224	-	352	-	128	224	-	-	-	392	12,7	35	331	450
21334-30-10500	35	224	-	416	-	128	224	-	-	-	442	12,7	35	376	500
21334-30-10550	35	224	352	-	480	128	224	320	-	-	492	12,7	35	415	550
21334-30-10600	35	224	352	480	-	128	224	320	-	-	542	12,7	35	451	600
21334-30-10650	35	224	352	544	-	128	224	320	416	544	592	12,7	35	488	650
21334-30-10700	35	224	352	544	-	128	224	288	416	-	642	12,7	35	526	700
21334-30-20250	35	-	-	-	-	96	-	-	-	-	192	12,7	35	163	250
21334-30-20300	35	224	-	-	-	96	-	-	-	-	242	12,7	35	205	300
21334-30-20350	35	224	-	-	-	128	-	-	-	-	292	12,7	35	260	350
21334-30-20400	35	224	-	320	-	128	-	-	-	-	342	12,7	35	281	400
21334-30-20450	35	224	-	352	-	128	224	-	-	-	392	12,7	35	331	450
21334-30-20500	35	224	-	416	-	128	224	-	-	-	442	12,7	35	376	500
21334-30-20550	35	224	352	-	480	128	224	320	-	-	492	12,7	35	415	550
21334-30-20600	35	224	352	480	-	128	224	320	-	-	542	12,7	35	451	600
21334-30-20650	35	224	352	544	-	128	224	320	416	544	592	12,7	35	488	650
21334-30-20700	35	224	352	544	-	128	224	288	416	-	642	12,7	35	526	700

Item description/product images



Description

Material:

Slides steel.
Ball cages steel.
Balls, steel.

Version:

Slides electro zinc-plated.
Ball cages, electro zinc-plated.
Balls hardened.

Note for ordering:

Sold in pairs.

Note:

On telescopic slides with over-extension, the travel is greater than the installed length. Latches in closed position.
The dynamic load capacity of the telescopic slides indicates the maximum load rating of a vertically mounted slide pair when the entire extension length is used. The load capacity specified is calculated with a slide spacing of 450 mm and is based on the maximum value with 80,000 cycles.

Not suitable for horizontal mounting.

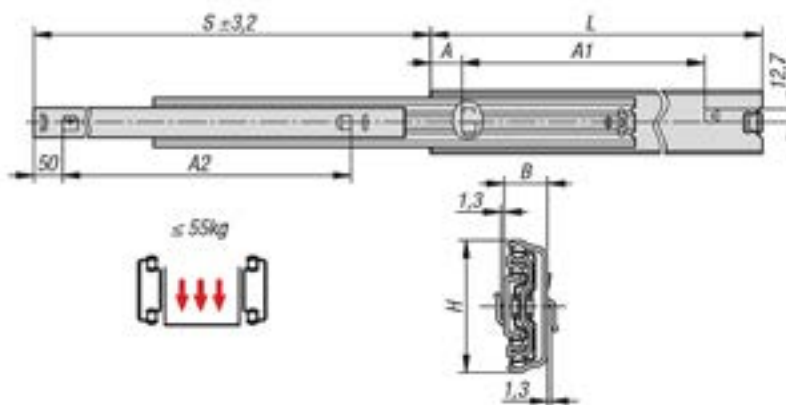
Assembly:

Bayonet mounting.

Advantages:

Bayonet mounting
Latches in closed position
Light running

Drawings



Overview of items

Order No.	Assembly	Product type	Loading per pair kg	Packaging type
21334-35-0350	side mounting	standard	51	1 piece = 1 pair
21334-35-0400	side mounting	standard	53	1 piece = 1 pair
21334-35-0450	side mounting	standard	55	1 piece = 1 pair

21334-35 Telescopic slides, steel for side mounting, over-extension, load capacity up to 55 kg



Overview of items

Order No.	Assembly	Product type	Loading per pair kg	Packaging type
21334-35-0500	side mounting	standard	55	1 piece = 1 pair
21334-35-0550	side mounting	standard	55	1 piece = 1 pair
21334-35-0600	side mounting	standard	53	1 piece = 1 pair
21334-35-0700	side mounting	standard	50	1 piece = 1 pair

Order No.	A	A1	A2	B	H	Travel S	L
21334-35-0350	50	250	250	17,5	53,4	374	350
21334-35-0400	50	300	300	17,5	53,4	424	400
21334-35-0450	50	350	350	17,5	53,4	473	450
21334-35-0500	50	400	400	17,5	53,4	522	500
21334-35-0550	50	450	450	17,5	53,4	571	550
21334-35-0600	50	500	500	17,5	53,4	620	600
21334-35-0700	50	600	600	17,5	53,4	731	700

Item description/product images



Description

Material:

Slides steel.
Ball cages steel.
Balls, steel.

Version:

Slides electro zinc-plated.
Ball cages, electro zinc-plated.
Balls hardened.

Note for ordering:

Sold in pairs.

Note:

On telescopic slides with over-extension, the travel is greater than the installed length. Latches in closed position. When the release lever is actuated, the drawer can be taken out easily and separated from the guide.

The dynamic load capacity of the telescopic slides indicates the maximum load rating of a vertically mounted slide pair when the entire extension length is used. The load capacities specified refer to the maximum value for 50,000 cycles.

Not suitable for horizontal mounting.

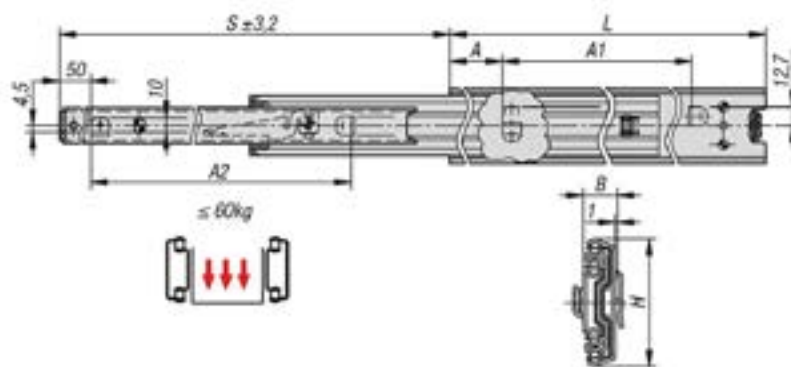
Assembly:

Bayonet mounting.

Advantages:

Bayonet mounting
Latches in closed position
Quick frontal release

Drawings



Overview of items

Order No.	Assembly	Product type	Loading per pair kg	Packaging type
21334-40-0300	side mounting	standard	55	1 piece = 1 pair
21334-40-0350	side mounting	standard	57	1 piece = 1 pair
21334-40-0400	side mounting	standard	58	1 piece = 1 pair
21334-40-0450	side mounting	standard	59	1 piece = 1 pair
21334-40-0500	side mounting	standard	60	1 piece = 1 pair

21334-40 Telescopic slides, steel for side mounting, over-extension, load capacity up to 60 kg



Overview of items

Order No.	Assembly	Product type	Loading per pair kg	Packaging type
21334-40-0550	side mounting	standard	60	1 piece = 1 pair
21334-40-0600	side mounting	standard	59	1 piece = 1 pair
21334-40-0650	side mounting	standard	57	1 piece = 1 pair
21334-40-0700	side mounting	standard	55	1 piece = 1 pair

Order No.	A	A1	A2	B	H	Travel S	L
21334-40-0300	50	200	200	12,7	50,8	325	300
21334-40-0350	50	250	250	12,7	50,8	374	350
21334-40-0400	50	300	300	12,7	50,8	424	400
21334-40-0450	50	350	350	12,7	50,8	473	450
21334-40-0500	50	400	400	12,7	50,8	522	500
21334-40-0550	50	450	450	12,7	50,8	571	550
21334-40-0600	50	500	500	12,7	50,8	620	600
21334-40-0650	50	550	550	12,7	50,8	670	650
21334-40-0700	50	600	600	12,7	50,8	731	700

19"



Description

Material:

Slides steel.
Ball cages steel.
Balls, steel.

Version:

Slides electro zinc-plated.
Ball cages, electro zinc-plated.
Balls hardened.

Note for ordering:

Sold in pairs.

Note:

On telescopic slides with partial extension, the travel is less than the installed length. Latches in open position. When the release lever is actuated, the drawer can be taken out easily and separated from the guide.

The dynamic load capacity of the telescopic slides indicates the maximum load rating of a vertically mounted slide pair when the entire extension length is used. The load capacity specified is calculated with a slide spacing of 450 mm and is based on the maximum value with 10,000 cycles.

The load capacity is ca. 75% lower by horizontal mounting.

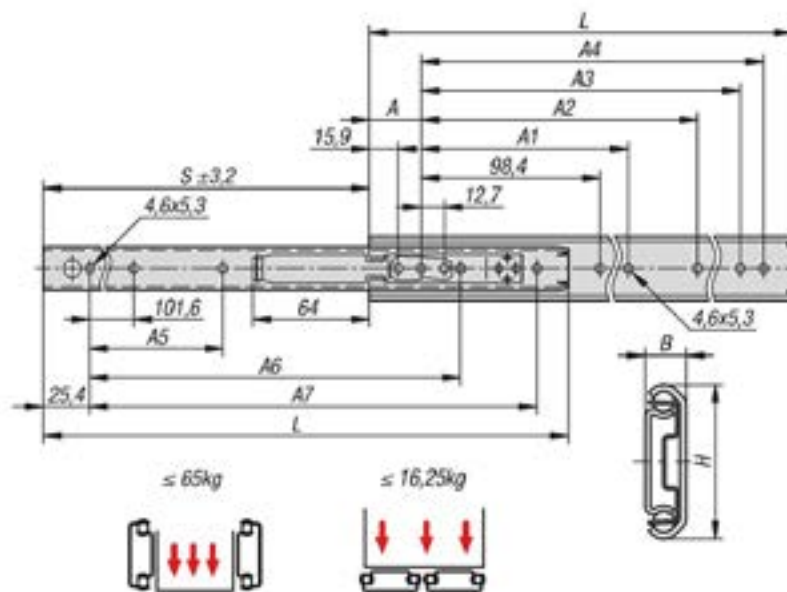
The head height of the fastening screws should not exceed 2.5 mm otherwise there is a risk of collision with other parts of the slide.

Temperature range:

-20°C to +70°C.

Advantages:

Latches in open position
Quick frontal release
Suitable for flat mounting



Overview of items

Order No.	Assembly	Product type	Loading per pair kg	Packaging type
21334-45-0305	side mounting	standard	65	1 piece = 1 pair
21334-45-0356	side mounting	standard	65	1 piece = 1 pair
21334-45-0406	side mounting	standard	60	1 piece = 1 pair
21334-45-0457	side mounting	standard	55	1 piece = 1 pair
21334-45-0508	side mounting	standard	50	1 piece = 1 pair
21334-45-0559	side mounting	standard	40	1 piece = 1 pair
21334-45-0610	side mounting	standard	35	1 piece = 1 pair
21334-45-0660	side mounting	standard	30	1 piece = 1 pair
21334-45-0711	side mounting	standard	30	1 piece = 1 pair

Order No.	A	A1	A2	A3	A4	A5	A6	A7	B	H	Travel S	L
21334-45-0305	28,6	-	136,5	247,6	260,3	-	215,9	254	9,5	35,3	201,5	305
21334-45-0356	28,6	-	187,3	298,4	311,1	-	266,7	304,8	9,5	35,3	252,5	356
21334-45-0406	28,6	-	238,1	349,2	361,9	-	317,5	355,6	9,5	35,3	303	406
21334-45-0457	28,6	200	288,9	400	412,7	203,2	342,9	406,4	9,5	35,3	329	457
21334-45-0508	28,6	225,4	339,7	450,8	463,5	228,6	393,7	457,2	9,5	35,3	379,5	508
21334-45-0559	28,6	250,8	390,5	501,6	514,3	254	419,1	508	9,5	35,3	405	559
21334-45-0610	28,6	276,2	441,3	552,4	565,1	279,4	444,5	558,8	9,5	35,3	430,5	610
21334-45-0660	28,6	301,6	492,1	603,2	615,9	304,8	495,3	609,6	9,5	35,3	481,5	660
21334-45-0711	28,6	327	542,9	654	666,7	330,2	520,7	660,4	9,5	35,3	506,5	711



Description

Material:

Slides stainless steel 1.4301.
Ball cage stainless steel 1.4301.
Balls stainless steel 1.4034.

Version:

Slides bright.
Ball cages bright.
Balls bright.

Note for ordering:

Sold in pairs.

Note:

On telescopic slides with partial extension, the travel is less than the installed length.
Latches in closed position.

The dynamic load capacity of the telescopic slides indicates the maximum load rating of a vertically mounted slide pair when the entire extension length is used.
The load capacity specified is calculated with a slide spacing of 450 mm and is based on the maximum value with 10,000 or 80,000 cycles.

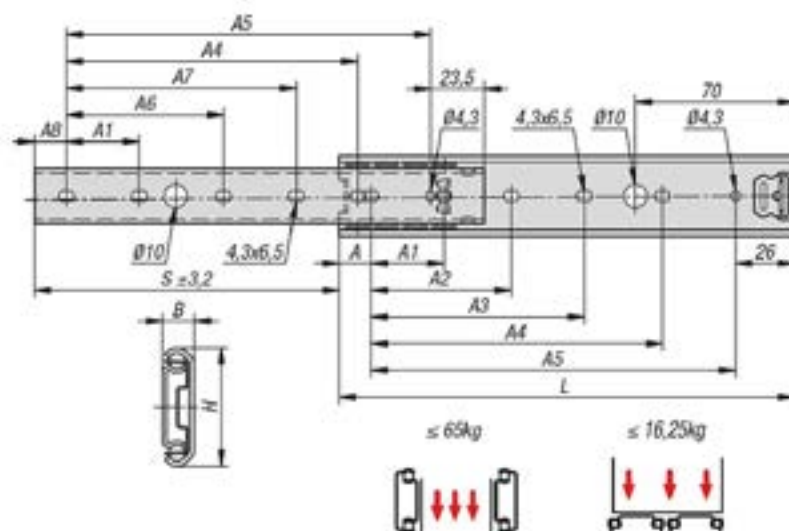
The load capacity is ca. 75% lower by horizontal mounting.

The head height of the fastening screws should not exceed 2.5 mm otherwise there is a risk of collision with other parts of the slide.

Advantages:

Latches in closed position
Suitable for flat mounting
Light running

Drawings



21334-50 Telescopic slides, stainless steel for side mounting, partial extension, load capacity up to 65 kg



Overview of items

Order No.	Assembly	Product type	Load capacity per pair (80,000 cycles) kg	Loading pair (10,000 cycles) kg	Packaging type
21334-50-0300	side mounting	standard	60	65	1 piece = 1 pair
21334-50-0350	side mounting	standard	57	63	1 piece = 1 pair
21334-50-0400	side mounting	standard	54	59	1 piece = 1 pair
21334-50-0450	side mounting	standard	50	57	1 piece = 1 pair
21334-50-0500	side mounting	standard	47	53	1 piece = 1 pair
21334-50-0550	side mounting	standard	45	50	1 piece = 1 pair
21334-50-0600	side mounting	standard	43	46	1 piece = 1 pair
21334-50-0650	side mounting	standard	41	43	1 piece = 1 pair
21334-50-0700	side mounting	standard	40	42	1 piece = 1 pair

Order No.	A	A1	A2	A3	A4	A5	A6	A7	A8	B	H	Travel S	L
21334-50-0300	18	32	-	-	224	256	128	160	17,5	9,5	35,34	209	300
21334-50-0350	36	32	160	192	256	288	160	192	35,5	9,5	35,34	245	350
21334-50-0400	22	32	160	192	320	352	160	192	21,5	9,5	35,34	282	400
21334-50-0450	8	32	224	256	384	416	224	256	7,5	9,5	35,34	320	450
21334-50-0500	26	32	224	256	416	448	224	256	25,5	9,5	35,34	357	500
21334-50-0550	12	32	288	320	480	512	288	320	11,5	9,5	35,34	394	550
21334-50-0600	30	32	288	320	512	544	288	320	29,5	9,5	35,34	432	600
21334-50-0650	16	32	352	384	576	608	352	384	15,5	9,5	35,34	469	650
21334-50-0700	34	32	352	384	608	640	352	384	33,5	9,5	35,34	506	700



Description

Material:

Slides steel.
Ball cages steel.
Balls, steel.

Version:

Slides electro zinc-plated.
Ball cages, electro zinc-plated.
Balls hardened.

Note for ordering:

Sold in pairs.
Fastening material included.

Note:

On telescopic slides with over-extension, the travel is greater than the installed length. Latches in open position. When the release lever is actuated, the drawer can be taken out easily and separated from the guide.
The dynamic load capacity of the telescopic slides indicates the maximum load rating of a vertically mounted slide pair when the entire extension length is used. The load capacity specified is calculated with a slide spacing of 450 mm and is based on the maximum value with 10,000 cycles.

The load capacity is ca. 75% lower by horizontal mounting.

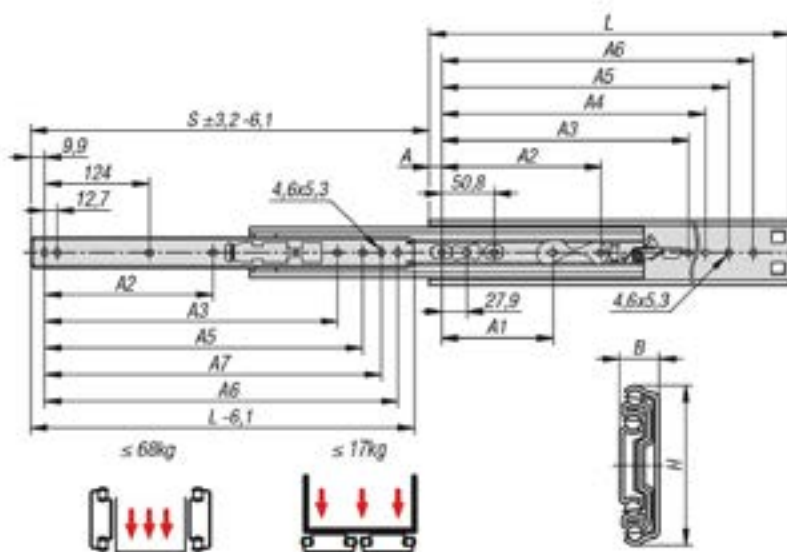
Temperature range:

-20°C to +70°C.

Advantages:

- Latches in open position
- Quick frontal release
- Suitable for flat mounting

Drawings



21334-55 Telescopic slides, steel for side mounting, over-extension, load capacity up to 68 kg



Overview of items

Order No.	Assembly	Product type	Loading per pair kg	Packaging type
21334-55-0305	side mounting	standard	68	1 piece = 1 pair
21334-55-0356	side mounting	standard	67	1 piece = 1 pair
21334-55-0406	side mounting	standard	67	1 piece = 1 pair
21334-55-0457	side mounting	standard	66	1 piece = 1 pair
21334-55-0508	side mounting	standard	66	1 piece = 1 pair
21334-55-0559	side mounting	standard	64	1 piece = 1 pair
21334-55-0610	side mounting	standard	61	1 piece = 1 pair
21334-55-0660	side mounting	standard	58	1 piece = 1 pair
21334-55-0711	side mounting	standard	55	1 piece = 1 pair

Order No.	A	A1	A2	A3	A4	A5	A6	A7	B	H	Travel S	L
21334-55-0305	16	-	-	-	209,5	234,9	260,3	247,6	12,7	50,8	330	305
21334-55-0356	16	123,8	-	-	260,3	285,7	311,1	298,4	12,7	50,8	381	356
21334-55-0406	16	123,8	-	-	311,1	336,5	361,9	349,2	12,7	50,8	432	406
21334-55-0457	16	123,8	177,8	314,5	361,9	387,3	412,7	400	12,7	50,8	483	457
21334-55-0508	16	123,8	203,2	365,2	412,7	438,1	463,5	450,8	12,7	50,8	533	508
21334-55-0559	16	123,8	228,6	416	463,5	488,9	514,3	501,6	12,7	50,8	584	559
21334-55-0610	16	123,8	254	466,8	514,3	539,7	565,1	552,4	12,7	50,8	635	610
21334-55-0660	16	123,8	279,4	517,7	565,1	590,6	615,9	603,3	12,7	50,8	686	660
21334-55-0711	16	123,8	304,8	568,5	616	641,4	666,8	654,1	12,7	50,8	737	711



Description

Material:

Slides steel.
Ball cages steel.
Balls, steel.

Version:

Slides electro zinc-plated.
Ball cages, electro zinc-plated.
Balls hardened.

Note for ordering:

Sold in pairs.
Fastening material included.

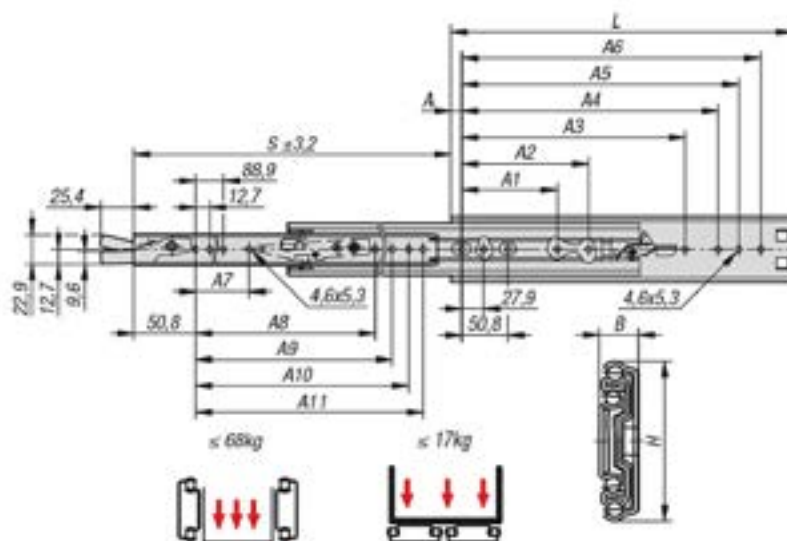
Note:

On telescopic slides with over-extension, the travel is greater than the installed length. Latches in open and closed positions. When the release lever is actuated, the drawer can be taken out easily and separated from the guide.
The dynamic load capacity of the telescopic slides indicates the maximum load rating of a vertically mounted slide pair when the entire extension length is used. The load capacity specified is calculated with a slide spacing of 450 mm and is based on the maximum value with 10,000 cycles.

The load capacity is ca. 75% lower by horizontal mounting.

Advantages:

- Latches in open and closed positions
- Quick frontal release
- Suitable for flat mounting



21334-60 Telescopic slides, steel for side mounting, over-extension, load capacity up to 68 kg



Overview of items

Order No.	Assembly	Product type	Loading per pair kg	Packaging type
21334-60-0305	side mounting	standard	68	1 piece = 1 pair
21334-60-0356	side mounting	standard	67	1 piece = 1 pair
21334-60-0406	side mounting	standard	67	1 piece = 1 pair
21334-60-0457	side mounting	standard	66	1 piece = 1 pair
21334-60-0508	side mounting	standard	66	1 piece = 1 pair
21334-60-0559	side mounting	standard	64	1 piece = 1 pair
21334-60-0610	side mounting	standard	61	1 piece = 1 pair
21334-60-0660	side mounting	standard	58	1 piece = 1 pair
21334-60-0711	side mounting	standard	55	1 piece = 1 pair

Order No.	A	A1	A2	A3	A4	A5	A6	A7	A8	A9	A10	A11	B	H	Travel S	L
21334-60-0305	16	-	-	-	209,5	234,9	260,3	-	-	200,1	212,8	225,5	12,7	50,8	330	305
21334-60-0356	16	123,8	-	-	260,3	285,7	311,1	-	-	250,9	263,6	276,6	12,7	50,8	381	356
21334-60-0406	16	123,8	-	-	311,1	336,5	361,9	-	-	301,7	314,4	327,1	12,7	50,8	432	406
21334-60-0457	16	123,8	177,8	314,4	361,9	387,3	412,7	143	279,4	352,5	365,2	377,9	12,7	50,8	483	457
21334-60-0508	16	123,8	203,2	365,2	412,7	438,1	463,5	168,4	330,2	403,3	416	428,7	12,7	50,8	533	508
21334-60-0559	16	123,8	228,6	416	463,5	488,9	514,3	193,8	381	454,1	466,8	479,5	12,7	50,8	584	559
21334-60-0610	16	123,8	254	466,8	514,3	539,7	565,1	219,2	431,8	504,9	517,6	530,3	12,7	50,8	635	610
21334-60-0660	16	123,8	279,4	517,6	565,1	590,5	615,9	244,6	482,6	555,7	568,4	581,1	12,7	50,8	686	660
21334-60-0711	16	123,8	304,8	568,4	641,3	641,3	666,7	270	533,4	606,5	619,2	631,9	12,7	50,8	737	711



Description

Material:

Slides steel.
Ball cages steel.
Balls, steel.

Version:

Slides electro zinc-plated.
Ball cages, electro zinc-plated.
Balls hardened.

Note for ordering:

Sold in pairs.
Fastening material included.

Note:

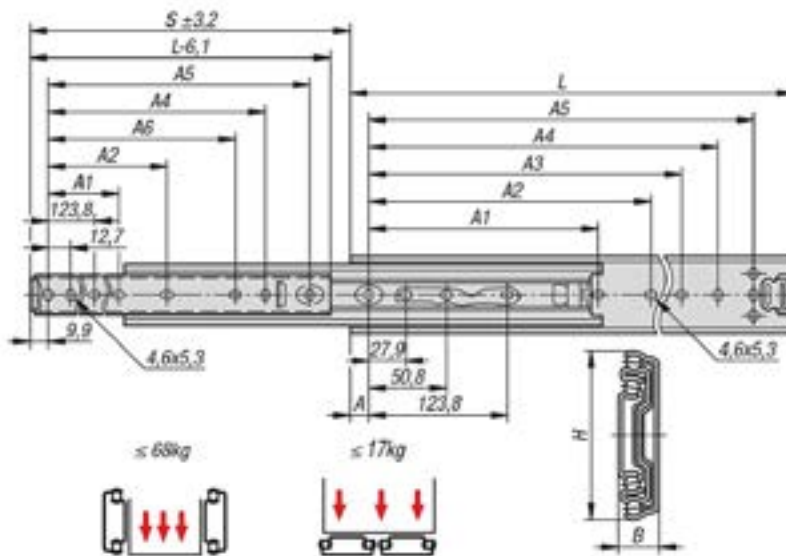
On telescopic slides with over-extension, the travel is greater than the installed length. Latches in closed position.
The dynamic load capacity of the telescopic slides indicates the maximum load rating of a vertically mounted slide pair when the entire extension length is used. The load capacity specified is calculated with a slide spacing of 450 mm and is based on the maximum value with 10,000 cycles.

The load capacity is ca. 75% lower by horizontal mounting.

Advantages:

Latches in closed position
Suitable for flat mounting
Light running

Drawings



21334-65 Telescopic slides, steel for side mounting, over-extension, load capacity up to 68 kg



Overview of items

Order No.	Assembly	Product type	Loading per pair kg	Packaging type
21334-65-0305	side mounting	standard	68	1 piece = 1 pair
21334-65-0356	side mounting	standard	67	1 piece = 1 pair
21334-65-0406	side mounting	standard	67	1 piece = 1 pair
21334-65-0457	side mounting	standard	66	1 piece = 1 pair
21334-65-0508	side mounting	standard	66	1 piece = 1 pair
21334-65-0559	side mounting	standard	64	1 piece = 1 pair
21334-65-0610	side mounting	standard	61	1 piece = 1 pair
21334-65-0660	side mounting	standard	58	1 piece = 1 pair
21334-65-0711	side mounting	standard	55	1 piece = 1 pair

Order No.	A	A1	A2	A3	A4	A5	A6	B	H	Travel S	L
21334-65-0305	16	-	162,1	209,5	235	260,3	222,2	12,7	50,8	330	305
21334-65-0356	16	-	212,8	260,3	285,7	311,1	273	12,7	50,8	381	356
21334-65-0406	16	-	263,6	311,1	336,5	361,9	323,8	12,7	50,8	432	406
21334-65-0457	16	212,8	314,4	361,9	387,3	412,7	374,6	12,7	50,8	483	457
21334-65-0508	16	238,2	365,2	412,7	438,1	463,5	425,4	12,7	50,8	533	508
21334-65-0559	16	263,6	416	463,5	488,9	514,3	476,2	12,7	50,8	584	559
21334-65-0610	16	289	466,8	514,3	539,7	565,1	527	12,7	50,8	635	610
21334-65-0660	16	314,4	517,6	565,1	590,5	615,9	577,8	12,7	50,8	686	660
21334-65-0711	16	339,8	568,4	615,9	641,3	666,7	628,6	12,7	50,8	737	711



Description

Material:

Slides steel.
Ball cages steel.
Balls, steel.

Version:

Slides electro zinc-plated.
Ball cages, electro zinc-plated.
Balls hardened.

Note for ordering:

Sold in pairs.

Note:

On telescopic slides with over-extension, the travel is greater than the installed length.

The dynamic load capacity of the telescopic slides indicates the maximum load rating of a vertically mounted slide pair when the entire extension length is used. The load capacity specified is calculated with a slide spacing of 450 mm and is based on the maximum value with 10,000 cycles.

The load capacity is ca. 75% lower by horizontal mounting.

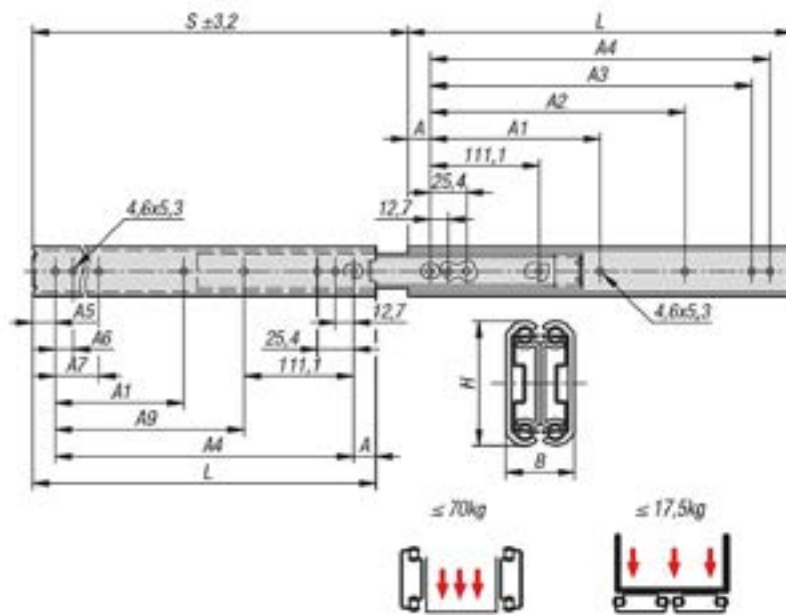
The head height of the fastening screws should not exceed 2.5 mm otherwise there is a risk of collision with other parts of the slide.

Temperature range:

-20°C to +70°C.

Advantages:

Suitable for flat mounting
Light running
Precise guidance for high lateral stability



Overview of items

Order No.	Assembly	Product type	Loading per pair kg	Packaging type
21334-70-0305	side mounting	standard	70	1 piece = 1 pair
21334-70-0356	side mounting	standard	67	1 piece = 1 pair
21334-70-0406	side mounting	standard	65	1 piece = 1 pair
21334-70-0457	side mounting	standard	63	1 piece = 1 pair
21334-70-0508	side mounting	standard	60	1 piece = 1 pair
21334-70-0559	side mounting	standard	55	1 piece = 1 pair
21334-70-0610	side mounting	standard	50	1 piece = 1 pair
21334-70-0660	side mounting	standard	45	1 piece = 1 pair
21334-70-0711	side mounting	standard	40	1 piece = 1 pair

Order No.	A	A1	A2	A3	A4	A5	A6	A7	A9	B	H	Travel S	L
21334-70-0305	15,9	-	149,2	260,3	273	16,1	12,7	123,8	161,9	19,1	35,3	327	305
21334-70-0356	15,9	-	200	311,1	323,8	16,3	12,7	123,8	212,7	19,1	35,3	378	356
21334-70-0406	15,9	-	250,8	361,9	374,6	15,5	12,7	123,8	263,5	19,1	35,3	429	406
21334-70-0457	15,9	212,7	301,6	412,7	425,4	15,7	12,7	123,8	314,3	19,1	35,3	480	457
21334-70-0508	15,9	238,1	352,4	463,5	476,2	15,9	12,7	123,8	365,1	19,1	35,3	530	508
21334-70-0559	15,9	263,5	403,2	514,3	527	16,1	12,7	123,8	415,9	19,1	35,3	581	559
21334-70-0610	15,9	288,9	454	565,1	577,8	16,3	12,7	123,8	466,7	19,1	35,3	632	610
21334-70-0660	15,9	314,3	504,8	615,9	628,6	15,5	12,7	123,8	517,5	19,1	35,3	683	660
21334-70-0711	15,9	339,7	555,6	666,7	679,4	15,7	12,7	123,8	568,3	19,1	35,3	734	711

19"



Description

Material:

Slides steel.
Ball cages steel.
Balls, steel.

Version:

Slides electro zinc-plated.
Ball cages, electro zinc-plated.
Balls hardened.

Note for ordering:

Sold in pairs.
Fastening material included.

Note:

On telescopic slides with over-extension, the travel is greater than the installed length. Latches in open position. When the release lever is actuated, the drawer can be taken out easily and separated from the guide.
The dynamic load capacity of the telescopic slides indicates the maximum load rating of a vertically mounted slide pair when the entire extension length is used. The load capacities specified refer to the maximum value for 10,000 cycles.

The load capacity is ca. 75% lower by horizontal mounting.

The head height of the fastening screws should not exceed 2.5 mm otherwise there is a risk of collision with other parts of the slide.

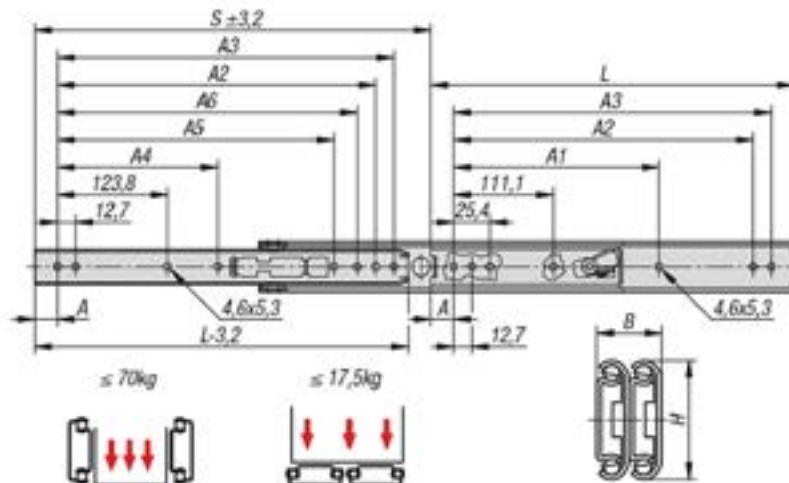
Temperature range:

-20°C to +110°C.

Advantages:

Latches in open position
Quick frontal release
Suitable for flat mounting

Drawings



21334-75 Telescopic slides, steel for side mounting, over-extension, load capacity up to 70 kg



Overview of items

Order No.	Assembly	Product type	Loading per pair kg	Packaging type
21334-75-0305	side mounting	standard	70	1 piece = 1 pair
21334-75-0356	side mounting	standard	68	1 piece = 1 pair
21334-75-0406	side mounting	standard	65	1 piece = 1 pair
21334-75-0457	side mounting	standard	62	1 piece = 1 pair
21334-75-0508	side mounting	standard	57	1 piece = 1 pair
21334-75-0559	side mounting	standard	52	1 piece = 1 pair
21334-75-0610	side mounting	standard	46	1 piece = 1 pair
21334-75-0660	side mounting	standard	41	1 piece = 1 pair
21334-75-0711	side mounting	standard	36	1 piece = 1 pair

Order No.	A	A1	A2	A3	A4	A5	A6	B	H	Travel S	L
21334-75-0305	15,9	-	260,3	273	-	-	-	19,1	35,3	327	305
21334-75-0356	15,9	-	311,1	323,8	-	-	298,4	19,1	35,3	378	356
21334-75-0406	15,9	250,8	361,9	374,6	-	-	349,2	19,1	35,3	429	406
21334-75-0457	15,9	301,6	412,7	425,4	212,7	-	400	19,1	35,3	479,5	457
21334-75-0508	15,9	352,4	463,5	476,2	238,1	365,2	450,8	19,1	35,3	530,5	508
21334-75-0559	15,9	403,2	514,3	527	263,5	415,9	501,6	19,1	35,3	581	559
21334-75-0610	15,9	454	565,1	577,8	288,9	466,7	552,4	19,1	35,3	632	610
21334-75-0660	15,9	504,8	615,9	628,6	314,3	517,7	603,2	19,1	35,3	683	660
21334-75-0711	15,9	555,6	666,7	679,4	339,7	568,3	654	19,1	35,3	733,5	711



Description

Material:

Slides stainless steel 1.4301.
 Ball cage stainless steel 1.4301.
 Balls stainless steel 1.4034.

Version:

Slides bright.
 Ball cages bright.
 Balls bright.

Note for ordering:

Sold in pairs.

Note:

On telescopic slides with over-extension, the travel is greater than the installed length. Latches in open position. When the release lever is actuated, the drawer can be taken out easily and separated from the guide.
 The dynamic load capacity of the telescopic slides indicates the maximum load rating of a vertically mounted slide pair when the entire extension length is used. The load capacity specified is calculated with a slide spacing of 450 mm and is based on the maximum value with 10,000 cycles.

The load capacity is ca. 75% lower by horizontal mounting.

The head height of the fastening screws should not exceed 2.5 mm otherwise there is a risk of collision with other parts of the slide.

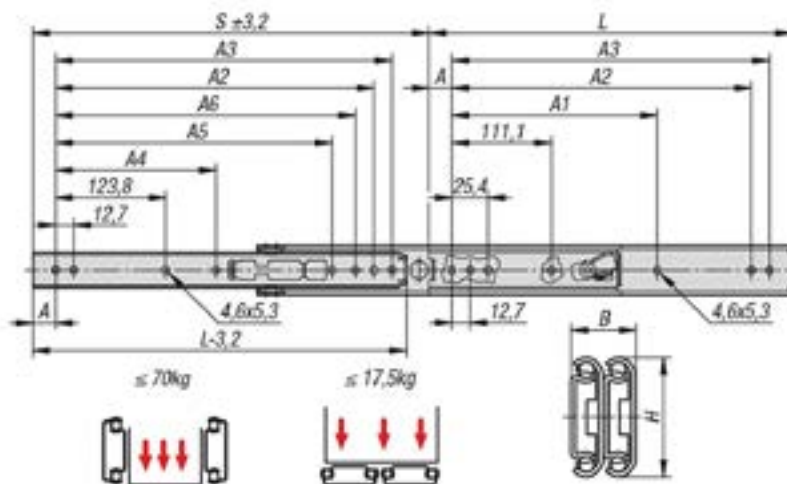
Temperature range:

-20°C to +110°C.

Advantages:

- Latches in open position
- Quick frontal release
- Suitable for flat mounting

Drawings



21334-80 Telescopic slides, stainless steel for side mounting, over-extension, load capacity up to 70 kg



Overview of items

Order No.	Assembly	Product type	Loading per pair kg	Packaging type
21334-80-0305	side mounting	standard	70	1 piece = 1 pair
21334-80-0356	side mounting	standard	68	1 piece = 1 pair
21334-80-0406	side mounting	standard	65	1 piece = 1 pair
21334-80-0457	side mounting	standard	62	1 piece = 1 pair
21334-80-0508	side mounting	standard	57	1 piece = 1 pair
21334-80-0559	side mounting	standard	52	1 piece = 1 pair
21334-80-0610	side mounting	standard	46	1 piece = 1 pair
21334-80-0660	side mounting	standard	41	1 piece = 1 pair
21334-80-0711	side mounting	standard	36	1 piece = 1 pair

Order No.	A	A1	A2	A3	A4	A5	A6	B	H	Travel S	L
21334-80-0305	15,9	-	260,3	273	-	-	-	19,1	35,3	327	305
21334-80-0356	15,9	-	311,1	323,8	-	-	298,4	19,1	35,3	378	356
21334-80-0406	15,9	250,8	361,9	374,6	-	-	349,2	19,1	35,3	429	406
21334-80-0457	15,9	301,6	412,7	425,4	212,7	-	400	19,1	35,3	479,5	457
21334-80-0508	15,9	352,4	463,5	476,2	238,1	365,2	450,8	19,1	35,3	530,5	508
21334-80-0559	15,9	403,2	514,3	527	263,5	415,9	501,6	19,1	35,3	581	559
21334-80-0610	15,9	454	565,1	577,8	288,9	466,7	552,4	19,1	35,3	632	610
21334-80-0660	15,9	504,8	615,9	628,6	314,3	517,7	603,2	19,1	35,3	683	660
21334-80-0711	15,9	555,6	666,7	679,4	339,7	568,3	654	19,1	35,3	733,5	711

Item description/product images



Description

Material:

Rail stainless steel 1.4301.
Ball cage stainless steel 1.4301.
Balls stainless steel 1.4034.

Version:

Slides bright.
Ball cages bright.
Balls bright.

Note for ordering:

Sold in pairs.

Note:

On telescopic slides with full extension, the travel is similar to the installed length, which ensures greater comfort and accessibility. Latches in closed position. The dynamic load capacity of the telescopic slides indicates the maximum load rating of a vertically mounted slide pair when the entire extension length is used. The load capacity specified is calculated with a slide spacing of 450 mm and is based on the maximum value with 10,000 or 80,000 cycles.

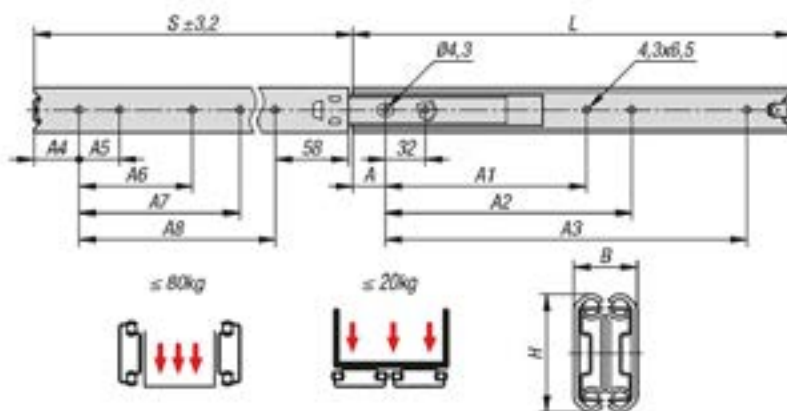
The load capacity is ca. 75% lower by horizontal mounting.

The head height of the fastening screws should not exceed 2.5 mm otherwise there is a risk of collision with other parts of the slide.

Advantages:

Latches in closed position
Suitable for flat mounting
Light running

Drawings



Overview of items

Order No.	Assembly	Product type	Load capacity per pair (80,000 cycles) kg	Loading pair (10,000 cycles) kg	Packaging type
21334-85-0300	side mounting	standard	50	65	1 piece = 1 pair
21334-85-0350	side mounting	standard	55	70	1 piece = 1 pair
21334-85-0400	side mounting	standard	60	75	1 piece = 1 pair

21334-85 Telescopic slides, stainless steel for side mounting, full extension, load capacity up to 80 kg



Overview of items

Order No.	Assembly	Product type	Load capacity per pair (80,000 cycles) kg	Loading pair (10,000 cycles) kg	Packaging type
21334-85-0450	side mounting	standard	65	80	1 piece = 1 pair
21334-85-0500	side mounting	standard	57	75	1 piece = 1 pair
21334-85-0550	side mounting	standard	50	70	1 piece = 1 pair
21334-85-0600	side mounting	standard	45	65	1 piece = 1 pair
21334-85-0700	side mounting	standard	30	55	1 piece = 1 pair

Order No.	A	A1	A2	A3	A4	A5	A6	A7	A8	B	H	Travel S	L
21334-85-0300	26	-	192	224	18	32	-	-	224	19,1	35,3	304,5	300
21334-85-0350	26	-	224	256	36	32	-	-	256	19,1	35,3	354	350
21334-85-0400	26	-	192	320	22	32	-	160	320	19,1	35,3	403	400
21334-85-0450	26	-	224	352	40	32	-	160	352	19,1	35,3	452	450
21334-85-0500	26	256	288	416	26	32	160	192	416	19,1	35,3	501	500
21334-85-0550	26	288	320	480	44	32	160	192	448	19,1	35,3	550,5	550
21334-85-0600	26	320	352	512	30	32	192	224	512	19,1	35,3	600	600
21334-85-0700	26	352	384	608	34	32	256	288	608	19,1	35,3	698	700

19"



Description

Material:

Slides steel.
Ball cages steel.
Balls, steel.

Version:

Slides electro zinc-plated.
Ball cages, electro zinc-plated.
Balls hardened.

Note for ordering:

Sold in pairs.

Note:

On telescopic slides with over-extension, the travel is greater than the installed length. Latches in open position. When the release lever is actuated, the drawer can be taken out easily and separated from the guide.
The dynamic load capacity of the telescopic slides indicates the maximum load rating of a vertically mounted slide pair when the entire extension length is used. The load capacity specified is calculated with a slide spacing of 450 mm and is based on the maximum value with 10,000 cycles.

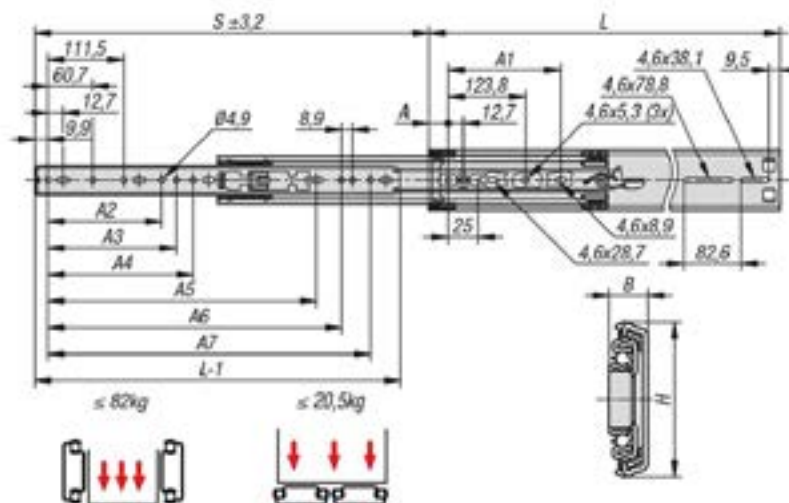
The load capacity is ca. 75% lower by horizontal mounting.

The head height of the fastening screws should not exceed 2.5 mm otherwise there is a risk of collision with other parts of the slide.

Advantages:

- Latches in open position
- Quick frontal release
- Suitable for flat mounting

Drawings



21334-90 Telescopic slides, steel for side mounting, over-extension, load capacity up to 82 kg



Overview of items

Order No.	Assembly	Product type	Loading per pair kg	Packaging type
21334-90-0406	side mounting	standard	71	1 piece = 1 pair
21334-90-0457	side mounting	standard	76	1 piece = 1 pair
21334-90-0508	side mounting	standard	80	1 piece = 1 pair
21334-90-0559	side mounting	standard	82	1 piece = 1 pair
21334-90-0610	side mounting	standard	81	1 piece = 1 pair
21334-90-0660	side mounting	standard	78	1 piece = 1 pair
21334-90-0711	side mounting	standard	73	1 piece = 1 pair
21334-90-0762	side mounting	standard	67	1 piece = 1 pair

Order No.	A	A1	A2	A3	A4	A5	A6	A7	B	H	Travel S	L
21334-90-0406	16	153,7	-	-	-	-	162,6	336,5	12,7	51,6	457	406
21334-90-0457	16	178,8	-	-	164,8	-	-	387,3	12,7	51,6	508	457
21334-90-0508	16	203,8	-	172,1	203,2	-	-	438,1	12,7	51,6	559	508
21334-90-0559	16	228,8	-	-	213	-	407	488,9	12,7	51,6	610	559
21334-90-0610	16	253,8	254	273,7	-	-	457,8	539,7	12,7	51,6	660	610
21334-90-0660	16	278,7	140,3	232,4	269,1	-	508,6	590,5	12,7	51,6	711	660
21334-90-0711	16	303,8	191,1	283,2	304,8	526	559,4	641,4	12,7	51,6	762	711
21334-90-0762	16	328,8	-	241,9	319,9	527,1	610,2	692,1	12,7	51,6	813	762



Description

Material:

Rail stainless steel 1.4301.

Ball cage stainless steel 1.4301.

Balls stainless steel 1.4034.

Version:

Slides bright.

Ball cages bright.

Balls bright.

Note for ordering:

Sold in pairs.

Note:

On telescopic slides with over-extension, the travel is greater than the installed length. Latches in open position. When the release lever is actuated, the drawer can be taken out easily and separated from the guide.

The dynamic load capacity of the telescopic slides indicates the maximum load rating of a vertically mounted slide pair when the entire extension length is used. The load capacity specified is calculated with a slide spacing of 400 mm and is based on the maximum value with 10,000 cycles.

The load capacity is ca. 75% lower by horizontal mounting.

The head height of the fastening screws should not exceed 2.5 mm otherwise there is a risk of collision with other parts of the slide.

Advantages:

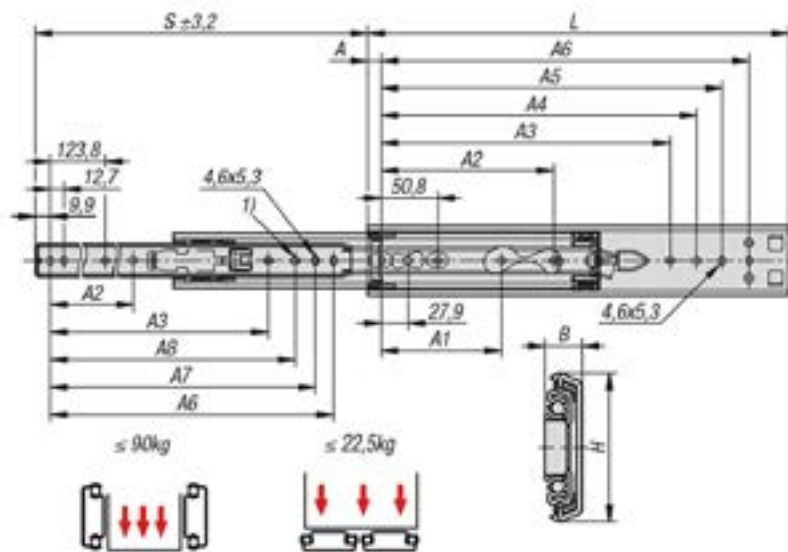
Latches in open position

Quick frontal release

Suitable for flat mounting

Drawing reference:

1) Mounting hole by 21334-95-0305 not provided



Overview of items

Order No.	Assembly	Product type	Loading per pair kg	Packaging type
21334-95-0305	side mounting	standard	56	1 piece = 1 pair
21334-95-0356	side mounting	standard	68	1 piece = 1 pair
21334-95-0406	side mounting	standard	80	1 piece = 1 pair
21334-95-0457	side mounting	standard	85	1 piece = 1 pair
21334-95-0508	side mounting	standard	90	1 piece = 1 pair
21334-95-0559	side mounting	standard	90	1 piece = 1 pair
21334-95-0610	side mounting	standard	90	1 piece = 1 pair
21334-95-0660	side mounting	standard	87	1 piece = 1 pair

Order No.	A	A1	A2	A3	A4	A5	A6	A7	A8	B	H	Travel S	L
21334-95-0305	15,9	-	-	-	209,6	235	260,4	247,7	-	12,7	51,6	330	305
21334-95-0356	15,9	-	-	-	260,4	285,8	311,2	298,5	285,8	12,7	51,6	381	356
21334-95-0406	15,9	123,8	-	-	311,2	336,6	362	349,3	336,6	12,7	51,6	432	406
21334-95-0457	15,9	123,8	177,8	314,4	362	387,4	412,8	400,1	387,4	12,7	51,6	483	457
21334-95-0508	15,9	123,8	203,2	365,3	412,8	438,2	463,6	450,9	438,2	12,7	51,6	533	508
21334-95-0559	15,9	123,8	228,6	416,1	463,6	489	514,4	501,7	489	12,7	51,6	584	559
21334-95-0610	15,9	123,8	254	466,9	514,4	539,8	565,2	552,5	539,8	12,7	51,6	635	610
21334-95-0660	15,9	123,8	279,4	517,7	565,2	590,6	616	603,3	590,6	12,7	51,6	686	660

Item description/product images



Description

Material:

Slides steel.
Ball cages steel.
Balls, steel.

Version:

Slides electro zinc-plated.
Ball cages, electro zinc-plated.
Balls hardened.

Note for ordering:

Sold in pairs.

Note:

By telescopic slides with full extension, the travel is roughly equal to the installed length, which ensures greater comfort and accessibility. When closing, the movement of the telescopic slides is dampened by the soft closing feature and they move automatically into the end position. The dynamic load capacity of the telescopic slides indicates the maximum load rating of a vertically mounted slide pair when the entire extension length is used. The load capacity specified is calculated with a slide spacing of 450 mm and is based on the maximum value with 80,000 cycles.

Not suitable for horizontal mounting.

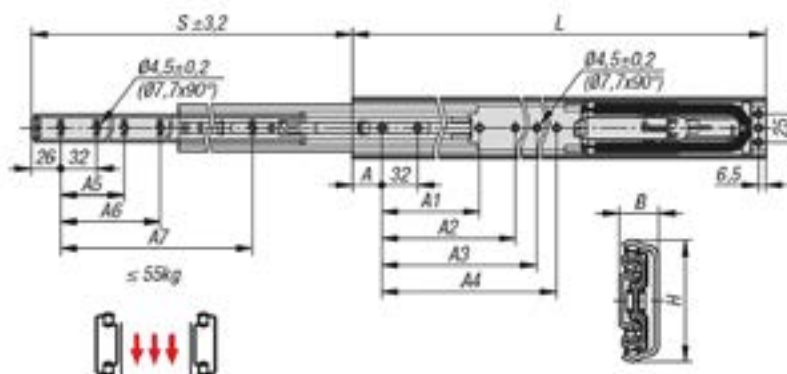
Temperature range:

+10°C to +40°C.

Advantages:

- Soft close
- Light running
- Precise guidance for high lateral stability

Drawings



Overview of items

Order No.	Assembly	Product type	Load capacity per pair (80,000 cycles) kg	Packaging type
21335-0400	side mounting	standard	45	1 piece = 1 pair
21335-0450	side mounting	standard	45	1 piece = 1 pair

21335 Telescopic slides, steel for side mounting, full extension, load capacity up to 100 kg



Overview of items

Order No.	Assembly	Product type	Load capacity per pair (80,000 cycles) kg	Packaging type
21335-0500	side mounting	standard	50	1 piece = 1 pair
21335-0550	side mounting	standard	50	1 piece = 1 pair
21335-0600	side mounting	standard	50	1 piece = 1 pair
21335-0700	side mounting	standard	55	1 piece = 1 pair

Order No.	A	A1	A2	A3	A4	A5	A6	A7	B	H	Travel S	L
21335-0400	26	160	192	-	-	128	160	288	17,5	54	400,2	400
21335-0450	26	192	224	-	-	160	192	320	17,5	54	449,4	450
21335-0500	26	160	192	256	288	192	224	384	17,5	54	498,6	500
21335-0550	26	192	224	288	320	192	224	416	17,5	54	547,6	550
21335-0600	26	224	256	352	384	224	256	480	17,5	54	597	600
21335-0700	26	288	320	448	480	256	288	576	17,5	54	695,4	700

Item description/product images



Description

Material:

Slides steel.
Ball cages steel.
Balls, steel.

Version:

Slides electro zinc-plated.
Ball cages, electro zinc-plated.
Balls hardened.

Note for ordering:

Sold in pairs.

Note:

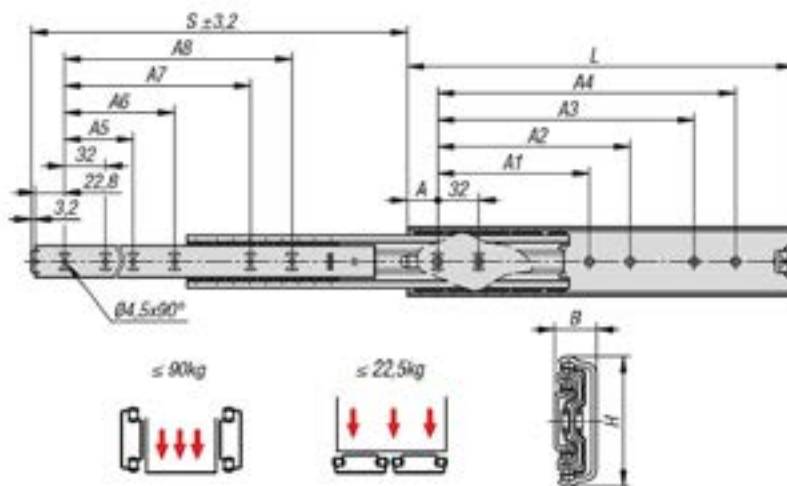
On telescopic slides with over-extension, the travel is greater than the installed length. Latches in closed position. The dynamic load capacity of the telescopic slides indicates the maximum load rating of a vertically mounted slide pair when the entire extension length is used. The load capacity specified is calculated with a slide spacing of 450 mm and is based on the maximum value with 10,000 or 80,000 cycles.

The load capacity is ca. 75% lower by horizontal mounting.

Advantages:

Latches in closed position
Suitable for flat mounting
Light running

Drawings



Overview of items

Order No.	Assembly	Product type	Load capacity per pair (80,000 cycles) kg	Loading pair (10,000 cycles) kg	Packaging type
21335-05-0300	side mounting	standard	80	90	1 piece = 1 pair
21335-05-0350	side mounting	standard	80	90	1 piece = 1 pair
21335-05-0400	side mounting	standard	82	92	1 piece = 1 pair
21335-05-0450	side mounting	standard	84	95	1 piece = 1 pair

21335-05 Telescopic slides, steel for side mounting, over-extension, load capacity up to 100 kg



Overview of items

Order No.	Assembly	Product type	Load capacity per pair (80,000 cycles) kg	Loading pair (10,000 cycles) kg	Packaging type
21335-05-0500	side mounting	standard	90	100	1 piece = 1 pair
21335-05-0550	side mounting	standard	90	100	1 piece = 1 pair
21335-05-0600	side mounting	standard	84	94	1 piece = 1 pair
21335-05-0650	side mounting	standard	82	92	1 piece = 1 pair
21335-05-0700	side mounting	standard	78	90	1 piece = 1 pair

Order No.	A	A1	A2	A3	A4	A5	A6	A7	A8	B	H	Travel S	L
21335-05-0300	26	-	-	224	256	-	-	-	256	17,5	54	340	300
21335-05-0350	26	-	-	224	256	-	-	-	256	17,5	54	389	350
21335-05-0400	26	160	192	320	352	128	160	-	352	17,5	54	438	400
21335-05-0450	26	160	192	320	352	128	160	320	352	17,5	54	487	450
21335-05-0500	26	192	224	416	448	160	192	-	416	17,5	54	537	500
21335-05-0550	26	224	-	448	480	160	192	-	448	17,5	54	586	550
21335-05-0600	26	256	288	480	512	192	224	480	512	17,5	54	635	600
21335-05-0650	26	288	320	544	576	192	256	-	544	17,5	54	684	650
21335-05-0700	26	288	416	576	608	256	288	576	608	17,5	54	733	700



Description

Material:

Slides steel.
Ball cages steel.
Balls, steel.

Version:

Slides electro zinc-plated.
Ball cages, electro zinc-plated.
Balls hardened.

Note for ordering:

Sold in pairs.
Fastening material included.

Note:

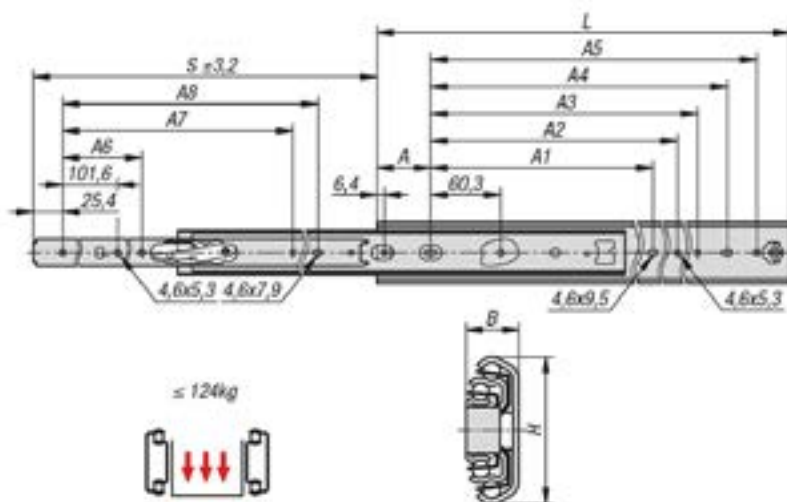
By telescopic slides with full extension, the travel is roughly equal to the installed length, which ensures greater comfort and accessibility. When the release lever is actuated, the drawer can be taken out easily and separated from the guide. The dynamic load capacity of the telescopic slides indicates the maximum load rating of a vertically mounted slide pair when the entire extension length is used. The load capacities specified refer to the maximum value for 10,000 cycles.

Not suitable for horizontal mounting.

Suitable for a slide spacing up to 1,000 mm.

Advantages:

- Quick frontal release
- Light running
- Precise guidance for high lateral stability



21335-10 Telescopic slides, steel for side mounting, full extension, load capacity up to 124 kg



Overview of items

Order No.	Assembly	Product type	Loading per pair kg	Packaging type
21335-10-0305	side mounting	standard	90	1 piece = 1 pair
21335-10-0356	side mounting	standard	90	1 piece = 1 pair
21335-10-0406	side mounting	standard	100	1 piece = 1 pair
21335-10-0457	side mounting	standard	110	1 piece = 1 pair
21335-10-0508	side mounting	standard	124	1 piece = 1 pair
21335-10-0559	side mounting	standard	110	1 piece = 1 pair
21335-10-0610	side mounting	standard	100	1 piece = 1 pair
21335-10-0660	side mounting	standard	92	1 piece = 1 pair
21335-10-0711	side mounting	standard	83	1 piece = 1 pair

Order No.	A	A1	A2	A3	A4	A5	A6	A7	A8	A11	B	H	Travel S	L
21335-10-0305	46,4	-	135,4	179,1	204,5	229,9	-	-	228,6	225,5	19,1	53,1	305	305
21335-10-0356	46,4	-	186,2	229,9	255,3	280,7	-	-	279,4	276,6	19,1	53,1	356	356
21335-10-0406	46,4	-	237	280,7	306,1	331,5	-	257,3	330,2	327,1	19,1	53,1	406	406
21335-10-0457	46,4	-	287,8	331,5	356,9	382,3	-	308,1	381	377,9	19,1	53,1	457	457
21335-10-0508	46,4	215,9	338,6	382,3	407,7	433,1	203,2	358,9	431,8	428,7	19,1	53,1	508	508
21335-10-0559	46,4	241,3	389,4	433,1	458,5	483,9	228,6	409,7	482,6	479,5	19,1	53,1	559	559
21335-10-0610	46,4	266,7	440,2	483,9	509,3	534,7	254	460,5	533,4	530,3	19,1	53,1	610	610
21335-10-0660	46,4	292,1	491	534,7	560,1	585,5	279,4	511,3	584,2	581,1	19,1	53,1	660	660
21335-10-0711	46,4	317,5	541,8	585,5	610,9	636,3	304,8	562,1	635	631,9	19,1	53,1	711	711



Description

Material:

Slides steel.
Ball cages steel.
Balls, steel.

Version:

Slides electro zinc-plated.
Ball cages, electro zinc-plated.
Balls hardened.

Note for ordering:

Sold in pairs.

Note:

By telescopic slides with full extension, the travel is roughly equal to the installed length, which ensures greater comfort and accessibility. Latches in closed position. When the release lever is actuated, the drawer can be taken out easily and separated from the guide. The dynamic load capacity of the telescopic slides indicates the maximum load rating of a vertically mounted slide pair when the entire extension length is used. The load capacities specified refer to the maximum value for 80,000 cycles.

The load capacity is ca. 75% lower by horizontal mounting.

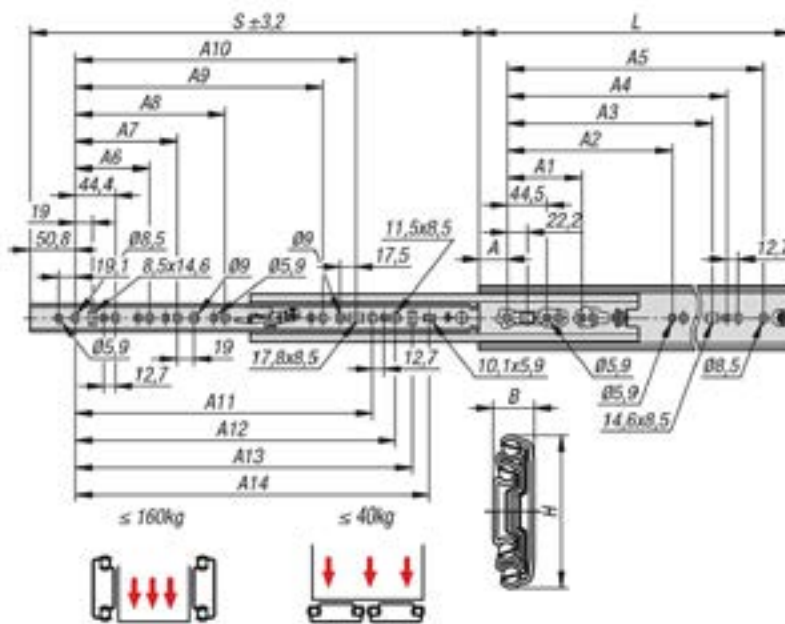
Suitable for a slide spacing up to 1,000 mm.

Temperature range:

-20°C to +70°C.

Advantages:

Latches in closed position
Quick frontal release
Suitable for flat mounting



Overview of items

Order No.	Assembly	Product type	Loading per pair kg	Packaging type
21335-15-0305	side mounting	standard	140	1 piece = 1 pair
21335-15-0356	side mounting	standard	140	1 piece = 1 pair
21335-15-0407	side mounting	standard	150	1 piece = 1 pair
21335-15-0457	side mounting	standard	150	1 piece = 1 pair
21335-15-0508	side mounting	standard	160	1 piece = 1 pair
21335-15-0559	side mounting	standard	160	1 piece = 1 pair
21335-15-0610	side mounting	standard	160	1 piece = 1 pair
21335-15-0660	side mounting	standard	160	1 piece = 1 pair
21335-15-0711	side mounting	standard	160	1 piece = 1 pair
21335-15-0762	side mounting	standard	160	1 piece = 1 pair
21335-15-0813	side mounting	standard	160	1 piece = 1 pair
21335-15-0864	side mounting	standard	160	1 piece = 1 pair
21335-15-0914	side mounting	standard	160	1 piece = 1 pair

Order No.	A	A1	A2	A3	A4	A5	A6	A7	A8	A9	A10	A11	A12	A13	A14	B	H	Travel S	L
21335-15-0305	31,8	-	-	184,2	200,2	241,3	-	-	-	-	-	-	-	179,4	198,5	19,1	70,8	304,8	304,8
21335-15-0356	31,8	-	-	235	251	292,1	-	-	-	-	-	-	-	230,2	249,3	19,1	70,8	355,6	355,6
21335-15-0407	31,8	-	-	285,8	301,8	342,9	108	-	-	-	-	236,6	262	281	300,1	19,1	70,8	406,4	406,4
21335-15-0457	31,8	-	-	336,6	352,6	393,7	108	-	-	-	-	287,4	312,8	331,8	350,9	19,1	70,8	457,2	457,2
21335-15-0508	31,8	-	-	387,4	403,4	444,5	108	171,5	-	-	-	338,2	363,6	382,6	401,7	19,1	70,8	508	508
21335-15-0559	31,8	-	-	438,2	454,2	495,3	108	171,5	-	-	328,7	389	414,4	433,4	452,5	19,1	70,8	558,8	558,8
21335-15-0610	31,8	-	-	489	505	546,1	108	171,5	-	-	379,5	439,8	465,2	484,2	503,3	19,1	70,8	609,6	609,6
21335-15-0660	31,8	-	-	539,8	555,8	596,9	108	171,5	-	-	430,3	490,6	516	535	554,1	19,1	70,8	660,4	660,4
21335-15-0711	31,8	-	-	590,6	606,6	647,7	108	171,5	-	-	481,1	541,4	566,8	585,8	604,9	19,1	70,8	711,2	711,2
21335-15-0762	31,8	203,2	469,9	641,4	657,4	698,5	108	171,5	-	-	531,9	592,2	617,6	636,6	655,7	19,1	70,8	762	762
21335-15-0813	31,8	203,2	520,7	692,2	708,2	749,3	108	171,5	-	-	582,7	643	688,4	687,4	706,5	19,1	70,8	812,8	812,8
21335-15-0864	31,8	203,2	571,5	743	759	800,1	108	171,5	349,3	-	633,5	693,8	719,2	738,2	757,3	19,1	70,8	863,6	863,6
21335-15-0914	31,8	203,2	622,3	793,8	809,8	850,9	108	171,5	349,3	501,7	684,3	744,6	770	789	808,1	19,1	70,8	914,4	914,4

Item description/product images



Description

Material:

Slides steel.
Ball cages steel.
Balls, steel.

Version:

Slides electro zinc-plated.
Ball cages, electro zinc-plated.
Balls hardened.

Note for ordering:

Sold in pairs.

Note:

On telescopic slides with over-extension, the travel is greater than the installed length. Latches in closed position. The dynamic load capacity of the telescopic slides indicates the maximum load rating of a vertically mounted slide pair when the entire extension length is used. The load capacity specified is calculated with a slide spacing of 450 mm and is based on the maximum value with 10,000 or 80,000 cycles.

Not suitable for horizontal mounting.

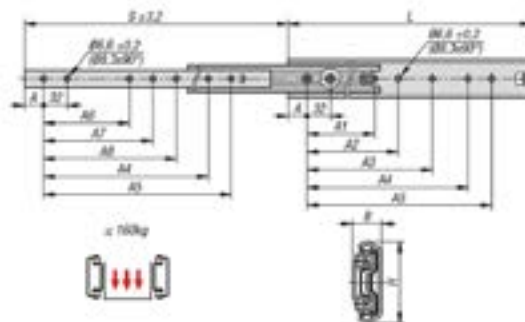
Temperature range:

-20°C to +70°C.

Advantages:

- Latches in closed position
- Light running
- Precise guidance for high lateral stability

Drawings



Overview of items

Order No.	Assembly	Product type	Load capacity per pair (80,000 cycles) kg	Loading pair (10,000 cycles) kg	Packaging type
21335-20-0300	side mounting	standard	120	130	1 piece = 1 pair
21335-20-0350	side mounting	standard	120	140	1 piece = 1 pair
21335-20-0400	side mounting	standard	130	150	1 piece = 1 pair
21335-20-0450	side mounting	standard	140	160	1 piece = 1 pair
21335-20-0500	side mounting	standard	140	160	1 piece = 1 pair
21335-20-0550	side mounting	standard	140	160	1 piece = 1 pair

21335-20 Telescopic slides, steel for side mounting, over-extension, load capacity up to 160 kg



Overview of items

Order No.	Assembly	Product type	Load capacity per pair (80,000 cycles) kg	Loading pair (10,000 cycles) kg	Packaging type
21335-20-0600	side mounting	standard	120	150	1 piece = 1 pair
21335-20-0700	side mounting	standard	110	130	1 piece = 1 pair
21335-20-0790	side mounting	standard	100	100	1 piece = 1 pair
21335-20-0900	side mounting	standard	80	90	1 piece = 1 pair
21335-20-1000	side mounting	standard	70	80	1 piece = 1 pair
21335-20-1100	side mounting	standard	60	70	1 piece = 1 pair

Order No.	A	A1	A2	A3	A4	A5	A6	A7	A8	B	H	Travel S	L
21335-20-0300	26	-	-	-	192	224	-	-	-	19,1	53,1	323,5	300
21335-20-0350	26	-	-	-	224	256	-	-	-	19,1	53,1	373,5	350
21335-20-0400	26	-	160	192	288	320	128	160	-	19,1	53,1	423,5	400
21335-20-0450	26	-	160	192	320	352	128	160	-	19,1	53,1	473,5	450
21335-20-0500	26	-	192	224	384	416	160	192	-	19,1	53,1	523,5	500
21335-20-0550	26	-	192	224	416	448	160	192	-	19,1	53,1	573,5	550
21335-20-0600	26	-	256	288	480	512	192	256	-	19,1	53,1	623,5	600
21335-20-0700	26	288	320	544	576	608	256	288	544	19,1	53,1	723,5	700
21335-20-0790	26	-	352	384	672	704	320	352	384	19,1	53,1	803,5	790
21335-20-0900	26	-	448	480	768	800	352	384	416	19,1	53,1	923,5	900
21335-20-1000	26	448	480	512	864	896	448	480	-	19,1	53,1	1023,5	1000
21335-20-1100	26	448	544	576	992	1024	448	480	512	19,1	53,1	1123,5	1100



Description

Material:

Slides steel.
Ball cages steel.
Balls, steel.

Version:

Slides electro zinc-plated.
Ball cages, electro zinc-plated.
Balls hardened.

Note for ordering:

Sold individually.

Note:

By telescopic slides with full extension, the travel is roughly equal to the installed length, which ensures greater comfort and accessibility. Latches in open and closed positions. The telescopic slides can only be opened or closed after the release lever has been actuated. The dynamic load capacity of the telescopic slides indicates the maximum load rating of a vertically mounted slide pair when the entire extension length is used. The load capacities specified refer to the maximum value for 10,000 cycles.

Not suitable for horizontal mounting.

The head height of the fastening screws should not exceed 4,8 mm otherwise there is a risk of collision with other parts of the slide.

These telescopic slides cannot be ordered as a pair.

If double sided latching is desired, a left and a right version must be ordered.

If single sided latching is desired, a combination with 21335-30 is possible.

Advantages:

Latches in open and closed positions
For heavy duty use
Manual release
Light running

Accessory:

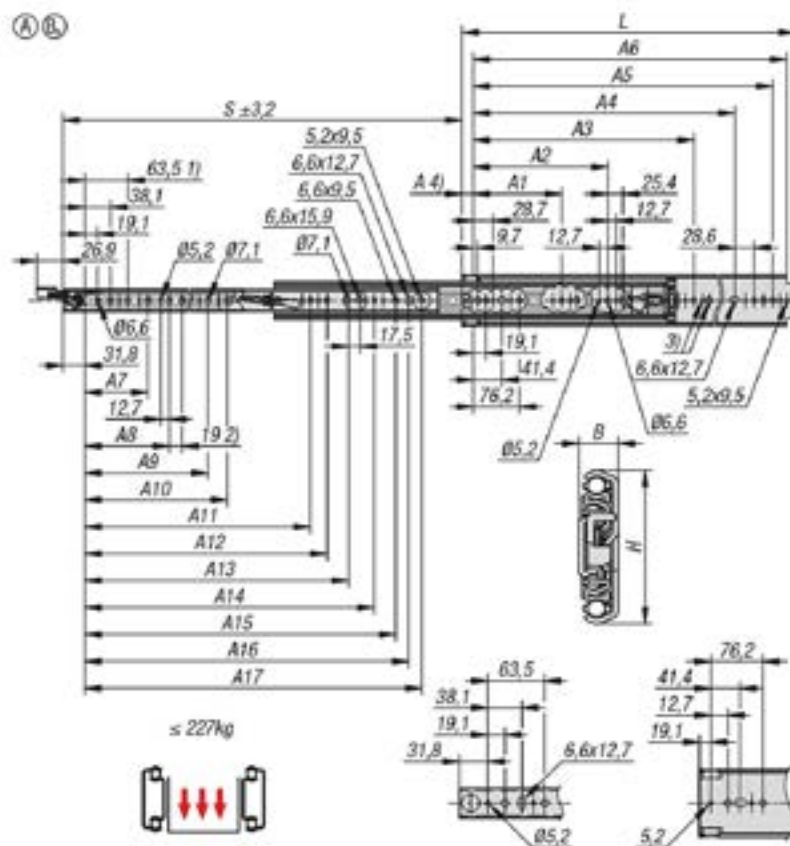
Steel telescopic slides 21335-30.

Note:

The maximum load rating refers to a pair of telescopic slides.

Drawing reference:

- 1) Mounting hole by 21335-25-03050 and 21335-25-03051 not provided
- 2) Mounting hole by 21335-25-05590 and 21335-25-05591 not provided
- 3) Cut-out for carriage bolt
- 4) Reference dimension only, not a mounting hole
- 5) Form B, identical demensions as the right-hand version



Overview of items

Order No.	Form	Form-Type	Assembly	Product type	Loading per pair kg	Packaging type
21335-25-03050	A	left	side mounting	standard	227	packaged individually
21335-25-03560	A	left	side mounting	standard	227	packaged individually
21335-25-04060	A	left	side mounting	standard	227	packaged individually
21335-25-04570	A	left	side mounting	standard	227	packaged individually
21335-25-05080	A	left	side mounting	standard	227	packaged individually
21335-25-05590	A	left	side mounting	standard	227	packaged individually
21335-25-06100	A	left	side mounting	standard	227	packaged individually
21335-25-06600	A	left	side mounting	standard	227	packaged individually
21335-25-07110	A	left	side mounting	standard	227	packaged individually
21335-25-07620	A	left	side mounting	standard	222	packaged individually
21335-25-08130	A	left	side mounting	standard	218	packaged individually
21335-25-08640	A	left	side mounting	standard	213	packaged individually
21335-25-09140	A	left	side mounting	standard	209	packaged individually
21335-25-10160	A	left	side mounting	standard	200	packaged individually
21335-25-10670	A	left	side mounting	standard	195	packaged individually
21335-25-12190	A	left	side mounting	standard	182	packaged individually
21335-25-13720	A	left	side mounting	standard	168	packaged individually
21335-25-15240	A	left	side mounting	standard	154	packaged individually
21335-25-03051	B	right	side mounting	standard	227	packaged individually
21335-25-03561	B	right	side mounting	standard	227	packaged individually
21335-25-04061	B	right	side mounting	standard	227	packaged individually
21335-25-04571	B	right	side mounting	standard	227	packaged individually
21335-25-05081	B	right	side mounting	standard	227	packaged individually
21335-25-05591	B	right	side mounting	standard	227	packaged individually
21335-25-06101	B	right	side mounting	standard	227	packaged individually
21335-25-06601	B	right	side mounting	standard	227	packaged individually
21335-25-07111	B	right	side mounting	standard	227	packaged individually
21335-25-07621	B	right	side mounting	standard	222	packaged individually

21335-25 Telescopic slides, steel for side mounting, full extension, load capacity up to 227 kg



Overview of items

Order No.	Form	Form-Type	Assembly	Product type	Loading per pair kg	Packaging type
21335-25-08131	B	right	side mounting	standard	218	packaged individually
21335-25-08641	B	right	side mounting	standard	213	packaged individually
21335-25-09141	B	right	side mounting	standard	209	packaged individually
21335-25-10161	B	right	side mounting	standard	200	packaged individually
21335-25-10671	B	right	side mounting	standard	195	packaged individually
21335-25-12191	B	right	side mounting	standard	182	packaged individually
21335-25-13721	B	right	side mounting	standard	168	packaged individually
21335-25-15241	B	right	side mounting	standard	154	packaged individually

Order No.	A	A1	A2	A3	A4	A5	A6	A7	A8	A9	A10	A11	A12	A13	A14	A15	A16	B	H	Travel S	L	
21335-25-03050	12,7	-	-	-	203,2	260,4	279,4	-	-	-	-	-	-	-	153,9	179,3	198,4	19,1	76,2	304,8	304,8	
21335-25-03560	12,7	-	-	-	254	311,2	330,2	-	-	-	-	-	-	-	204,7	230,1	249,2	19,1	76,2	355,6	355,6	
21335-25-04060	12,7	-	-	-	304,8	362	381	-	-	-	-	-	-	-	255,5	280,9	300	19,1	76,2	406,4	406,4	
21335-25-04570	12,7	-	-	-	355,6	412,8	431,8	127	-	-	-	-	-	-	306,3	331,7	350,8	19,1	76,2	457,2	457,2	
21335-25-05080	12,7	-	-	-	406,4	463,6	482,6	127	-	-	-	-	-	-	296,6	357,1	382,5	401,6	19,1	76,2	508	508
21335-25-05590	12,7	-	-	-	457,2	514,4	533,4	127	190,5	-	-	-	-	-	347,7	407,9	433,3	452,4	19,1	76,2	558,8	558,8
21335-25-06100	12,7	-	-	-	508	565,2	584,2	127	190,5	-	-	-	-	-	398,5	458,7	484,1	503,2	19,1	76,2	609,6	609,6
21335-25-06600	12,7	-	-	-	558,8	616	635	127	190,5	-	-	-	-	-	449,3	509,5	534,9	554	19,1	76,2	660,4	660,4
21335-25-07110	12,7	-	-	-	609,6	666,8	685,8	127	190,5	-	-	-	-	-	500,1	560,3	585,7	604,8	19,1	76,2	711,2	711,2
21335-25-07620	12,7	235	-	501,7	660,4	717,6	736,6	127	190,5	-	-	-	-	-	550,9	611,1	636,5	655,6	19,1	76,2	762	762
21335-25-08130	12,7	235	-	552,5	711,2	768,4	787,4	127	190,5	-	-	-	-	-	601,7	661,9	687,3	706,4	19,1	76,2	812,8	812,8
21335-25-08640	12,7	235	-	603,2	762	819,1	838,2	127	190,5	-	520,7	-	-	-	652,5	712,7	738,1	757,1	19,1	76,2	863,6	863,6
21335-25-09140	12,7	235	-	654,1	812,8	869,9	889	127	190,5	368,3	520,7	-	-	-	703,3	763,5	788,9	807,9	19,1	76,2	914,4	914,4
21335-25-10160	12,7	235	-	755,7	914,4	971,5	990,6	127	190,5	368,3	-	-	-	-	804,9	865,1	890,5	909,5	19,1	76,2	1016	1016
21335-25-10670	12,7	235	-	806,5	965,2	1022,4	1041,4	127	190,5	368,3	-	-	-	-	855,7	915,9	941,3	960,4	19,1	76,2	1066,8	1066,8
21335-25-12190	12,7	235	-	958,9	1117,6	1174,8	1193,8	127	190,5	368,3	520,7	825,5	-	-	1008,1	1068,3	1093,7	1112,8	19,1	76,2	1219,2	1219,2
21335-25-13720	12,7	235	-	958,9	1270	1327,2	1346,2	127	190,5	368,3	520,7	825,5	-	-	1160,5	1220,8	1246,2	1265,2	19,1	76,2	1371,6	1371,6
21335-25-15240	12,7	235	596,6	958,9	1422,4	1479,5	1498,6	127	190,5	368,3	520,7	825,5	1130,3	1312,9	1373,1	1398,5	1417,8	19,1	76,2	1524	1524	
21335-25-03051	12,7	-	-	-	203,2	260,4	279,4	-	-	-	-	-	-	-	153,9	179,3	198,4	19,1	76,2	304,8	304,8	
21335-25-03561	12,7	-	-	-	254	311,2	330,2	-	-	-	-	-	-	-	204,7	230,1	249,2	19,1	76,2	355,6	355,6	
21335-25-04061	12,7	-	-	-	304,8	362	381	-	-	-	-	-	-	-	255,5	280,9	300	19,1	76,2	406,4	406,4	
21335-25-04571	12,7	-	-	-	355,6	412,8	431,8	127	-	-	-	-	-	-	306,3	331,7	350,8	19,1	76,2	457,2	457,2	
21335-25-05081	12,7	-	-	-	406,4	463,6	482,6	127	-	-	-	-	-	-	296,6	357,1	382,5	401,6	19,1	76,2	508	508
21335-25-05591	12,7	-	-	-	457,2	514,4	533,4	127	190,5	-	-	-	-	-	347,7	407,9	433,3	452,4	19,1	76,2	558,8	558,8
21335-25-06101	12,7	-	-	-	508	565,2	584,2	127	190,5	-	-	-	-	-	398,5	458,7	484,1	503,2	19,1	76,2	609,6	609,6
21335-25-06601	12,7	-	-	-	558,8	616	635	127	190,5	-	-	-	-	-	449,3	509,5	534,9	554	19,1	76,2	660,4	660,4
21335-25-07111	12,7	-	-	-	609,6	666,8	685,8	127	190,5	-	-	-	-	-	500,1	560,3	585,7	604,8	19,1	76,2	711,2	711,2
21335-25-07621	12,7	235	-	501,7	660,4	717,6	736,6	127	190,5	-	-	-	-	-	550,9	611,1	636,5	655,6	19,1	76,2	762	762
21335-25-08131	12,7	235	-	552,5	711,2	768,4	787,4	127	190,5	-	-	-	-	-	601,7	661,9	687,3	706,4	19,1	76,2	812,8	812,8
21335-25-08641	12,7	235	-	603,2	762	819,1	838,2	127	190,5	-	520,7	-	-	-	652,5	712,7	738,1	757,1	19,1	76,2	863,6	863,6
21335-25-09141	12,7	235	-	654,1	812,8	869,9	889	127	190,5	368,3	520,7	-	-	-	703,3	763,5	788,9	807,9	19,1	76,2	914,4	914,4
21335-25-10161	12,7	235	-	755,7	914,4	971,5	990,6	127	190,5	368,3	-	-	-	-	804,9	865,1	890,5	909,5	19,1	76,2	1016	1016
21335-25-10671	12,7	235	-	806,5	965,2	1022,4	1041,4	127	190,5	368,3	-	-	-	-	855,7	915,9	941,3	960,4	19,1	76,2	1066,8	1066,8
21335-25-12191	12,7	235	-	958,9	1117,6	1174,8	1193,8	127	190,5	368,3	520,7	825,5	-	-	1008,1	1068,3	1093,7	1112,8	19,1	76,2	1219,2	1219,2
21335-25-13721	12,7	235	-	958,9	1270	1327,2	1346,2	127	190,5	368,3	520,7	825,5	-	-	1160,5	1220,8	1246,2	1265,2	19,1	76,2	1371,6	1371,6
21335-25-15241	12,7	235	596,9	958,9	1422,4	1479,5	1498,6	127	190,5	368,3	520,7	825,5	1130,3	1312,9	1373,1	1398,5	1417,8	19,1	76,2	1524	1524	



Description

Material:

Slides steel.
Ball cages steel.
Balls, steel.

Version:

Slides electro zinc-plated.
Ball cages, electro zinc-plated.
Balls hardened.

Note for ordering:

Sold individually.

Note:

By telescopic slides with full extension, the travel is roughly equal to the installed length, which ensures greater comfort and accessibility. The dynamic load capacity of the telescopic slides indicates the maximum load rating of a vertically mounted slide pair when the entire extension length is used. The load capacities specified refer to the maximum value for 10,000 cycles.

The load capacity is ca. 70% lower by horizontal mounting.

The head height of the fastening screws should not exceed 4,8 mm otherwise there is a risk of collision with other parts of the slide.

These telescopic slides cannot be ordered as a pair.

If single sided latching is desired, a combination with 21335-25 is possible.

Temperature range:

-20°C to +70°C.

Advantages:

Suitable for flat mounting
For heavy duty use
Light running

Accessory:

Steel telescopic slides 21335-25.

Note:

The maximum load rating refers to a pair of telescopic slides.

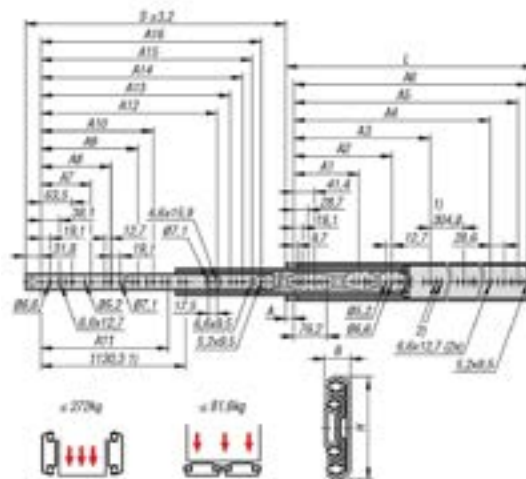
Drawing reference:

- 1) Mounting hole by 21335-30-1524 provided
- 2) Cut-out for carriage bolt

21335-30 Telescopic slides, steel for side mounting, full extension, load capacity up to 272 kg



Drawings



Overview of items

Order No.	Assembly	Product type	Loading per pair kg	Packaging type
21335-30-0254	side mounting	standard	272	packaged individually
21335-30-0305	side mounting	standard	272	packaged individually
21335-30-0356	side mounting	standard	272	packaged individually
21335-30-0406	side mounting	standard	272	packaged individually
21335-30-0457	side mounting	standard	272	packaged individually
21335-30-0508	side mounting	standard	272	packaged individually
21335-30-0559	side mounting	standard	272	packaged individually
21335-30-0610	side mounting	standard	267	packaged individually
21335-30-0660	side mounting	standard	264	packaged individually
21335-30-0711	side mounting	standard	261	packaged individually
21335-30-0762	side mounting	standard	258	packaged individually
21335-30-0813	side mounting	standard	256	packaged individually
21335-30-0864	side mounting	standard	253	packaged individually
21335-30-0914	side mounting	standard	248	packaged individually
21335-30-1016	side mounting	standard	237	packaged individually
21335-30-1067	side mounting	standard	228	packaged individually
21335-30-1118	side mounting	standard	218	packaged individually
21335-30-1220	side mounting	standard	204	packaged individually
21335-30-1372	side mounting	standard	196	packaged individually
21335-30-1524	side mounting	standard	182	packaged individually

Order No.	A	A1	A2	A3	A4	A5	A6	A7	A8	A9	A10	A11	A12	A13	A14	A15	A16	B	H	Travel S	L
21335-30-0254	12,7	-	-	-	152,4	209,6	228,6	-	-	-	-	-	-	103,1	128,5	147,6	166,6	19,1	76,2	254	254
21335-30-0305	12,7	-	-	-	203,2	260,4	279,4	-	-	-	-	-	-	153,9	179,3	198,4	217,4	19,1	76,2	304,8	304,8
21335-30-0356	12,7	-	-	-	254	311,2	330,2	-	-	-	-	-	-	204,7	230,1	249,2	268,2	19,1	76,2	355,6	355,6
21335-30-0406	12,7	-	-	-	304,8	362	381	127	-	-	-	-	-	255,5	280,9	300	319	19,1	76,2	406,4	406,4
21335-30-0457	12,7	-	-	-	355,6	412,8	431,8	127	-	-	-	-	246,1	306,3	331,7	350,8	369,8	19,1	76,2	457,2	457,2
21335-30-0508	12,7	-	-	-	406,4	463,6	482,6	127	190,5	-	-	-	296,9	357,1	382,5	401,6	420,6	19,1	76,2	508	508
21335-30-0559	12,7	-	-	-	457,2	514,4	533,4	127	190,5	-	-	-	347,7	407,9	433,3	452,4	471,4	19,1	76,2	558,8	558,8
21335-30-0610	12,7	-	-	-	508	565,2	584,2	127	190,5	-	-	-	398,5	458,7	484,1	503,2	522,2	19,1	76,2	609,6	609,6
21335-30-0660	12,7	-	-	-	558,8	616	635	127	190,5	-	-	-	449,3	509,5	534,9	554	573	19,1	76,2	660,4	660,4
21335-30-0711	12,7	-	-	-	609,6	668,8	685,8	127	190,5	-	-	-	500,1	560,3	585,7	604,8	623,8	19,1	76,2	711,2	711,2
21335-30-0762	12,7	235	-	501,7	660,4	717,6	736,6	127	190,5	368,3	-	-	550,9	611,1	636,5	655,6	674,6	19,1	76,2	762	762
21335-30-0813	12,7	235	393,7	552,5	711,2	768,4	787,4	127	190,5	368,3	-	-	601,7	661,9	687,3	706,4	725,4	19,1	76,2	812,8	812,8
21335-30-0864	12,7	235	419,1	603,3	762	819,2	838,2	127	190,5	368,3	469,9	-	652,5	712,7	738,1	757,2	776,2	19,1	76,2	863,6	863,6
21335-30-0914	12,7	235	444,5	654,1	812,8	870	889	127	190,5	368,3	520,7	-	703,3	763,5	788,9	808	827	19,1	76,2	914,4	914,4
21335-30-1016	12,7	235	546,1	755,7	914,4	971,6	990,6	127	190,5	368,3	520,7	-	804,9	865,1	890,5	909,6	928,6	19,1	76,2	1016	1016
21335-30-1067	12,7	235	546,1	806,5	965,2	1022,4	1041,4	127	190,5	368,3	520,7	-	855,7	915,9	941,3	960,4	979,4	19,1	76,2	1066,8	1066,8
21335-30-1118	12,7	235	546,1	857,3	1016	1073,2	1092,2	127	190,5	368,3	520,7	-	906,5	966,7	992,1	1011,2	1030,2	19,1	76,2	1117,6	1117,6
21335-30-1220	12,7	235	596,9	958,9	1117,6	1174,8	1193,8	127	190,5	368,3	520,7	825,5	1008,1	1068,3	1093,7	1112,8	1131,8	19,1	76,2	1219,2	1219,2
21335-30-1372	12,7	235	596,9	958,9	1270	1327,2	1346,2	127	190,5	368,3	520,7	825,5	1160,5	1220,8	1246,2	1265,2	1284,2	19,1	76,2	1371,6	1371,6



Description

Material:

Rail aluminium.
Ball cage stainless steel 1.4301.
Balls stainless steel 1.4021.

Version:

Slides bright.
Ball cages bright.
Balls bright.

Note for ordering:

Sold in pairs.

Note:

By telescopic slides with full extension, the travel is roughly equal to the installed length, which ensures greater comfort and accessibility. The dynamic load capacity of the telescopic slides indicates the maximum load rating of a vertically mounted slide pair when the entire extension length is used. The load capacity specified is calculated with a slide spacing of 600 mm and is based on the maximum value with 10,000 cycles.

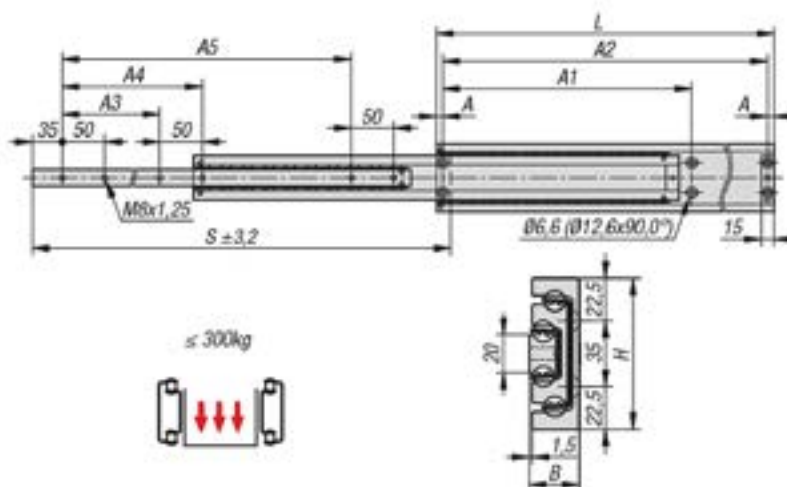
Not suitable for horizontal mounting.

Re-lubrication with high pressure grease is recommended after 2,000 cycles.

The end plate has been tested with the specified load rating over 10 cycles and a speed of 0.8 m/s. External end plates are also recommended.

Temperature range:

-20°C to +110°C.



21335-35 Telescopic slides, aluminium for side mounting, full extension, load capacity up to 300 kg



Overview of items

Order No.	Assembly	Product type	Loading per pair kg	Packaging type
21335-35-0300	side mounting	standard	240	1 piece = 1 pair
21335-35-0350	side mounting	standard	255	1 piece = 1 pair
21335-35-0400	side mounting	standard	270	1 piece = 1 pair
21335-35-0450	side mounting	standard	285	1 piece = 1 pair
21335-35-0500	side mounting	standard	300	1 piece = 1 pair
21335-35-0550	side mounting	standard	300	1 piece = 1 pair
21335-35-0600	side mounting	standard	300	1 piece = 1 pair
21335-35-0650	side mounting	standard	295	1 piece = 1 pair
21335-35-0700	side mounting	standard	290	1 piece = 1 pair
21335-35-0800	side mounting	standard	270	1 piece = 1 pair
21335-35-0900	side mounting	standard	250	1 piece = 1 pair
21335-35-1000	side mounting	standard	230	1 piece = 1 pair

Order No.	A	A1	A2	A3	A4	A5	B	H	Travel S	L
21335-35-0300	7,5	142,5	285	75	125	150	26,5	80	300	300
21335-35-0350	7,5	167,5	335	100	150	200	26,5	80	350	350
21335-35-0400	7,5	192,5	385	125	175	250	26,5	80	400	400
21335-35-0450	7,5	217,5	435	150	200	300	26,5	80	450	450
21335-35-0500	7,5	242,5	485	175	225	350	26,5	80	500	500
21335-35-0550	7,5	267,5	535	200	250	400	26,5	80	550	550
21335-35-0600	7,5	292,5	585	225	275	450	26,5	80	600	600
21335-35-0650	7,5	317,5	635	250	300	500	26,5	80	650	650
21335-35-0700	7,5	342,5	685	275	325	550	26,5	80	700	700
21335-35-0800	7,5	392,5	785	325	375	650	26,5	80	800	800
21335-35-0900	7,5	442,5	885	375	425	750	26,5	80	900	900
21335-35-1000	7,5	492,5	985	425	475	850	26,5	80	1000	1000

Item description/product images



Description

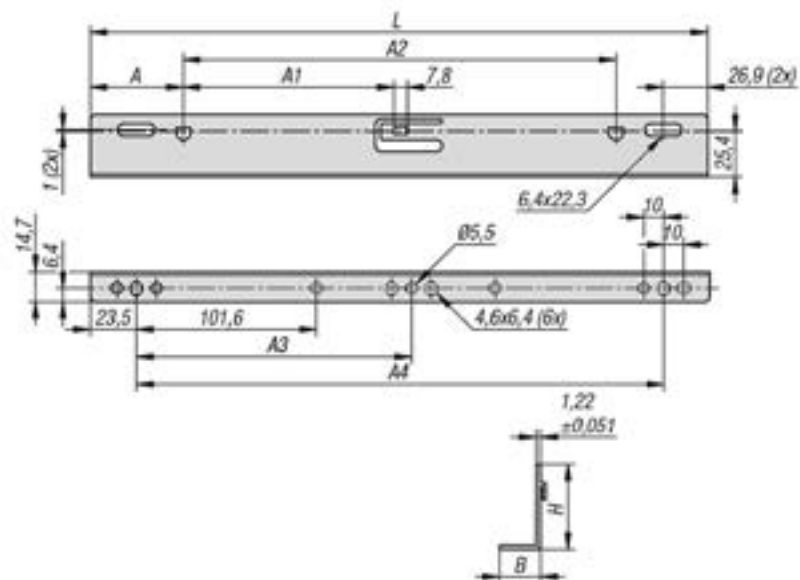
Material:
Mounting bracket steel.

Version:
Mounting bracket electro zinc-plated.

Note for ordering:
Sold in pairs.
Fastening material included.

Note:
As an option for floor, platform or side mounting.

Drawings



Overview of items

Order No.	A	A1	A2	A3	A4	B	H	L	Packaging type
21335-80-0347	55,1	114,4	236,5	150	300	14,7	35,7	346,7	1 piece = 1 pair
21335-80-0397	55,1	139,4	286,5	175	350	14,7	35,7	396,7	1 piece = 1 pair
21335-80-0447	55,1	164,4	336,6	200	400	14,7	35,7	446,8	1 piece = 1 pair
21335-80-0497	55,1	189,4	386,6	225	450	14,7	35,7	496,8	1 piece = 1 pair

Item description/product images



Description

Material:

Rail and race ball-bearing steel.
Balls, ball-bearing steel.
Ball cage steel.

Version:

Rail, runner and ball cage galvanized.
Race inductively hardened.
Balls hardened.

Note:

Full extension consisting of two guide rails which form the intermediate element when connected to each other to form a double T profile, plus two runners which form the link to the connection construction as fixed and moving elements. High load rating and low bending thanks to compact, square design with high base load. The maximum travel is greater than the closed length of the telescopic rail. Mounting should be carried out horizontally if possible. To allow access to all fastening holes, the locking screw in the rail must be removed before mounting and replaced afterwards. Travel in both directions is achieved by removing the locking screws.

The internal stops limit the cage. Provide external stops for a loaded system.

Form A:

Use grade 10.9 DIN EN ISO 10642 countersunk head screws to install the rail.

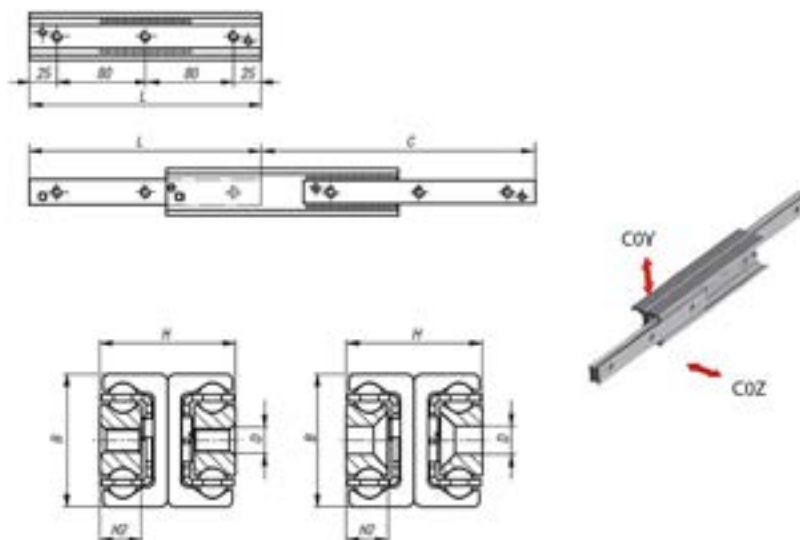
Form B:

Use grade 10.9 screws to install the rail.

The maximum traversing speed is 0.8 m/s.

Application temperature -30 °C to +170 °C.

Drawings



Overview of items

Order No.	Form	Version	Size	B	C (travel)	D	D for screw	H	H2	L	COY N	COZ N	No off holes
21336-1280210	A	tapped hole	28	28	232	M5	-	26	7,5	210	432	302	3
21336-1280370	A	tapped hole	28	28	380	M5	-	26	7,5	370	968	471	5
21336-1280450	A	tapped hole	28	28	464	M5	-	26	7,5	450	1169	385	6
21336-1280530	A	tapped hole	28	28	548	M5	-	26	7,5	530	1107	325	7
21336-1350370	A	tapped hole	35	35	406	M6	-	34	10	370	1025	718	5
21336-1350450	A	tapped hole	35	35	494	M6	-	34	10	450	1250	793	6
21336-1350530	A	tapped hole	35	35	558	M6	-	34	10	530	1685	728	7
21336-1350610	A	tapped hole	35	35	646	M6	-	34	10	610	1908	626	8
21336-1430450	A	tapped hole	43	43	486	M8	-	44	13,5	450	1828	1279	6
21336-1430530	A	tapped hole	43	43	556	M8	-	44	13,5	530	2375	1434	7
21336-1430610	A	tapped hole	43	43	626	M8	-	44	13,5	610	2934	1300	8
21336-1430770	A	tapped hole	43	43	796	M8	-	44	13,5	770	3055	1016	10
21336-1430930	A	tapped hole	43	43	966	M8	-	44	13,5	930	2506	833	12
21336-2280210	B	countersunk hole	28	28	232	-	M5	26	7,5	210	432	302	3
21336-2280370	B	countersunk hole	28	28	380	-	M5	26	7,5	370	968	471	5
21336-2280450	B	countersunk hole	28	28	464	-	M5	26	7,5	450	1169	385	6
21336-2280530	B	countersunk hole	28	28	548	-	M5	26	7,5	530	1107	325	7
21336-2350370	B	countersunk hole	35	35	406	-	M6	34	10	370	1025	718	5
21336-2350450	B	countersunk hole	35	35	494	-	M6	34	10	450	1250	793	6
21336-2350530	B	countersunk hole	35	35	558	-	M6	34	10	530	1685	728	7
21336-2350610	B	countersunk hole	35	35	646	-	M6	34	10	610	1908	626	8
21336-2430450	B	countersunk hole	43	43	486	-	M8	44	13,5	450	1828	1279	6
21336-2430530	B	countersunk hole	43	43	556	-	M8	44	13,5	530	2375	1434	7
21336-2430610	B	countersunk hole	43	43	626	-	M8	44	13,5	610	2934	1300	8
21336-2430770	B	countersunk hole	43	43	796	-	M8	44	13,5	770	3055	1016	10
21336-2430930	B	countersunk hole	43	43	966	-	M8	44	13,5	930	2506	833	12

Item description/product images

**Description****Material:**

Rail and race ball-bearing steel.
Balls, ball-bearing steel.
Ball cage steel.

Version:

Rail, runner and ball cage electro zinc-plated.
Race inductively hardened.
Balls hardened.

Note:

Full extension consisting of two guide rails which serve as fixed and moving elements and two runners which form the intermediate element when connected to each other. This arrangement offers good protection for the open ball cages from dirt. The maximum travel is greater than the closed length of the telescopic rail. Mounting should be carried out horizontally if possible. To allow access to all fastening holes, the locking screw in the rail must be removed before mounting and replaced afterwards. Travel in both directions is achieved by removing the locking screws.

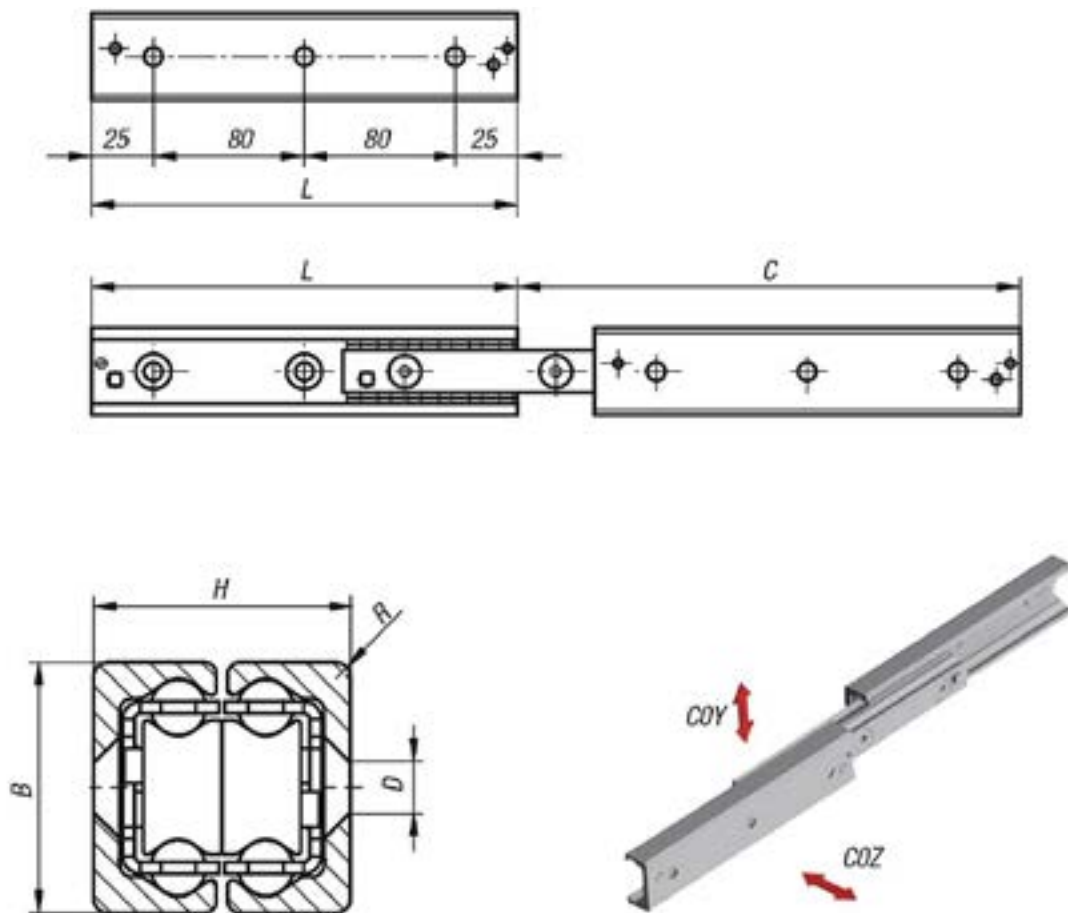
The internal stops limit the cage. Provide external stops for a loaded system.

Use grade 10.9 DIN EN ISO 10642 countersunk head screws to install the rail.

The maximum traversing speed is 0.8 m/s.

Application temperature -30 °C to +170 °C.

Drawings



Overview of items

Order No.	Size	B	C (travel)	D for screw	H	L	R	COY N	COZ N	No. of holes
21338-280210	28	28	232	M5	26	210	1	432	302	3
21338-280370	28	28	380	M5	26	370	1	482	482	5
21338-280450	28	28	434	M5	26	450	1	393	393	6
21338-280530	28	28	548	M5	26	530	1	332	332	7
21338-350370	35	35	406	M6	34	370	2	522	522	5
21338-350450	35	35	494	M6	34	450	2	429	429	6
21338-350530	35	35	558	M6	34	530	2	394	394	7
21338-350610	35	35	646	M6	34	610	2	338	338	8
21338-430450	43	43	486	M8	44	450	2,5	1331	1279	6
21338-430530	43	43	556	M8	44	530	2,5	1193	1193	7
21338-430610	43	43	626	M8	44	610	2,5	1082	1082	8
21338-430770	43	43	796	M8	44	770	2,5	845	845	10
21338-430930	43	43	966	M8	44	930	2,5	693	693	12

Item description/product images

**Description****Material:**

Balls, rails and slides roller bearing steel.

Version:

Rail and slide electro zinc-plated.

Tracks inductively hardened.

Balls hardened.

Note:

Partial extension consisting of a fixed guide rail and a movable slider. The slide can move somewhat more than half the length of the rail (C travel). By removing the locking screw, a partial extension with the travel length C is possible to both sides. The total travel is thus 2C.

This compact and simple construction allows very high load ratings.

The maximum traversing speed is 0.8 m/s.

Application temperature -30 °C to +170 °C.

On request:

Other lengths (pitch 80 mm).

Size 28 up to max. 1170 mm.

Size 35 up to max. 1490 mm.

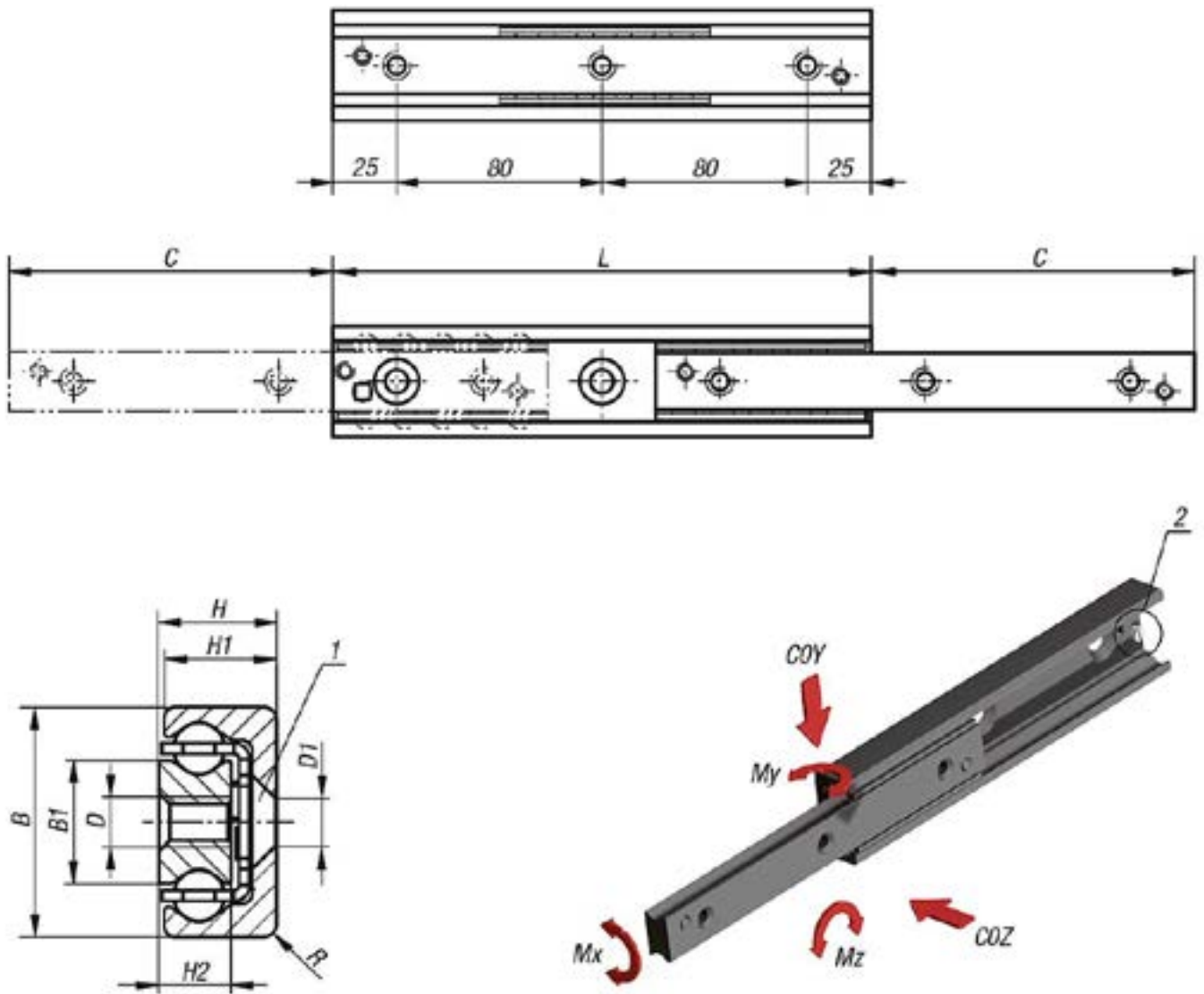
Size 43 up to max. 1970 mm.

Drawing reference:

1) for countersunk screw DIN 7991

2) set screw

Drawings



Overview of items

Order No.	Size	B	B1	C (travel)	D	D1	H	H1	H2	L	R	COY N	COZ N	Mx Nm	My Nm	Mz Nm	No. of holes
21340-280290	28	28	15	148	M5	M5	13	12,25	7,5	290	1	1934	1345	39,6	132	188	4
21340-280370	28	28	15	190	M5	M5	13	12,25	7,5	370	1	2445	1711	50,4	213	305	5
21340-280450	28	28	15	232	M5	M5	13	12,25	7,5	450	1	2955	2069	61,2	314	449	6
21340-280530	28	28	15	274	M5	M5	13	12,25	7,5	530	1	3466	2426	72	435	621	7
21340-280610	28	28	15	315	M5	M5	13	12,25	7,5	610	1	3986	2790	82,8	575	821	8
21340-350290	35	35	15,8	159	M6	M6	17	16	10	290	2	2060	1442	46,9	146	208	4
21340-350370	35	35	15,8	203	M6	M6	17	16	10	370	2	2638	1847	59,9	238	340	5
21340-350450	35	35	15,8	247	M6	M6	17	16	10	450	2	3217	2252	73	345	505	6
21340-350530	35	35	15,8	279	M6	M6	17	16	10	530	2	4282	2997	90,4	543	775	7
21340-350610	35	35	15,8	323	M6	M6	17	16	10	610	2	4858	3401	103,5	711	1015	8
21340-430290	43	43	23	158	M8	M8	22	21	13,5	290	2,5	2872	2010	93,8	201	288	4
21340-430370	43	43	23	208	M8	M8	22	21	13,5	370	2,5	3377	2364	115,9	308	440	5
21340-430450	43	43	23	243	M8	M8	22	21	13,5	450	2,5	4690	3283	149,2	509	728	6
21340-430530	43	43	23	278	M8	M8	22	21	13,5	530	2,5	6039	4227	182,4	762	1088	7
21340-430610	43	43	23	313	M8	M8	22	21	13,5	610	2,5	7411	5188	215,6	1064	1521	8

Item description/product images

**Description****Material:**

Balls, rails and runners roller bearing steel.

Version:

Rail and runner electro zinc-plated.

Tracks inductive hardened.

Balls hardened.

Note:

Full extension consisting of two guide rails as fixed and moving elements and an S-shaped intermediate element. The latter has a high area moment of inertia and high rigidity with a slim construction. This results in a high load rating with a low amount of bending in the extended state. The maximum travel is greater than the closed length of the telescopic rail.

Use grade 10.9 DIN EN ISO 10642 countersunk head screws to install the rail.

The maximum traversing speed is 0.8 m/s.

Application temperature -30 °C to +110 °C.

On request:

Other lengths (steps 80 mm).

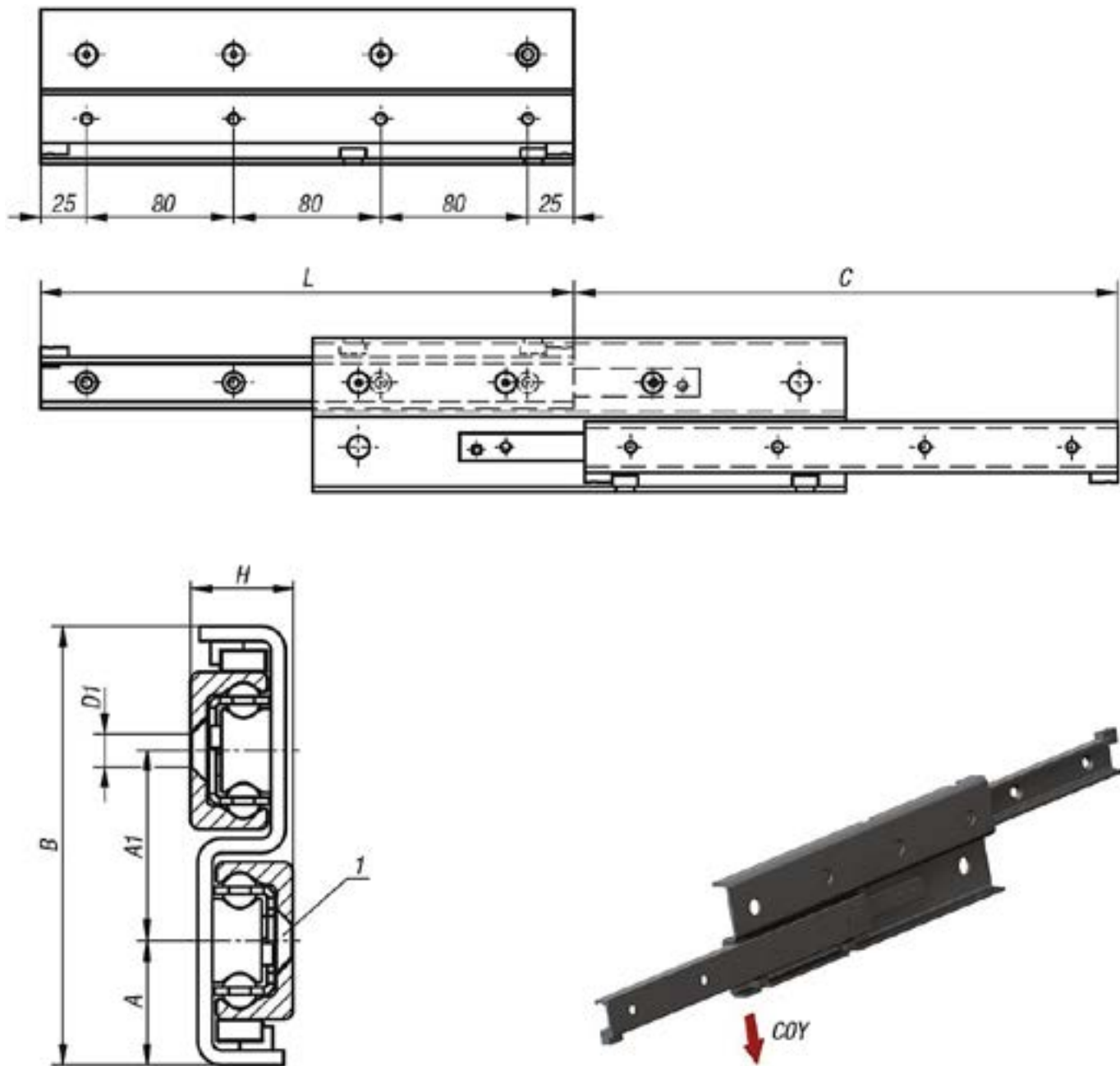
Size 28 up to max. 1490 mm.

Size 43 up to max. 1970 mm.

Drawing reference:

1) for countersunk screw DIN 7991

Drawings



Overview of items

Order No.	Size	A	A1	B	C (travel)	D1	H	L	COY N	No. of holes
21342-280290	28	24,5	36	85	296	M5	17	290	570	4 (3 accessible)
21342-280370	28	24,5	36	85	380	M5	17	370	769	5 (4 accessible)
21342-280450	28	24,5	36	85	464	M5	17	450	969	6 (4 accessible)
21342-280530	28	24,5	36	85	548	M5	17	530	1170	7 (6 accessible)
21342-280610	28	24,5	36	85	630	M5	17	610	1376	8 (6 accessible)
21342-350450	35	30,5	43	104	494	M6	22,5	450	1250	6 (5 accessible)
21342-350530	35	30,5	43	104	558	M6	22,5	530	1685	7 (6 accessible)
21342-350690	35	30,5	43	104	734	M6	22,5	690	2132	9 (7 accessible)
21342-350850	35	30,5	43	104	886	M6	22,5	850	2801	11 (9 accessible)
21342-430530	43	34	52	120	556	M8	28	530	2061	7 (6 accessible)
21342-430610	43	34	52	120	626	M8	28	610	2603	8 (6 accessible)
21342-430690	43	34	52	120	726	M8	28	690	2775	9 (7 accessible)
21342-430770	43	34	52	120	796	M8	28	770	3319	10 (7 accessible)
21342-430850	43	34	52	120	866	M8	28	850	3873	11 (9 accessible)

Overview of items

Order No.	Size	A	A1	B	C (travel)	D1	H	L	COY N	No. of holes
21342-431010	43	34	52	120	1036	M8	34	1010	4590	13 (10 accessible)
21342-431490	43	34	52	120	1516	M8	34	1490	3713	19 (15 accessible)



www.norelem.com